

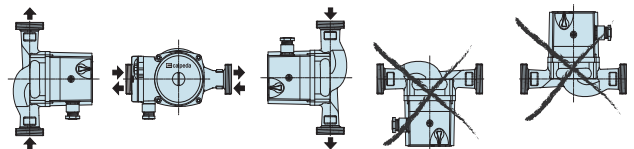


## Construction

Bronze pump casing with suction and delivery connections with the same diameter and on the same axis (in-line).  
Stainless steel AISI 316 can.  
Brass unions on request.

Materials	NCS3 ...-40, -50	NCS3 ...-70
Pump casing	Bronze	Bronze
Impeller	Composite	Composite
Shaft	Stainless steel	Ceramic
Bearings	Graphite	Ceramic

## Installation



## Applications

Circulation of sanitary hot water.

## Operating conditions

Liquid temperature from +5 °C to +65 °C.  
Ambient temperature up to 40 °C.  
Sound pressure ≤ 43 dB (A).  
Minimum suction pressure: 0,05 bar at 50 °C  
Maximum permissible working pressure 10 bar.

## Motor

2-pole induction motor, 50 Hz.  
Three adjustable speeds.  
**NCS3**: single-phase 230 V.  
Insulation class H.  
Protection IP 44.

## Unions

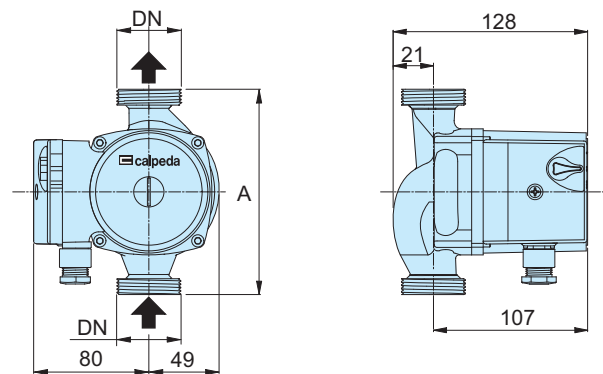
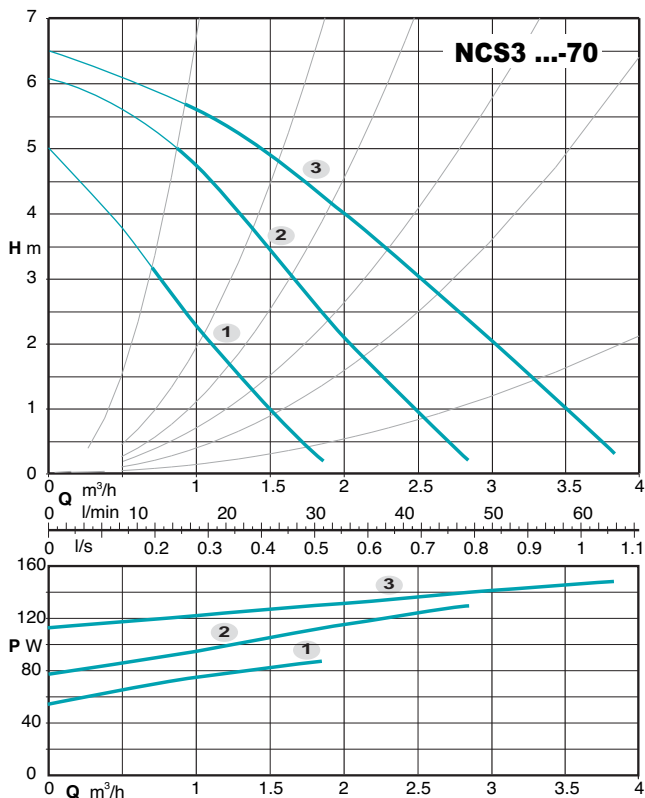
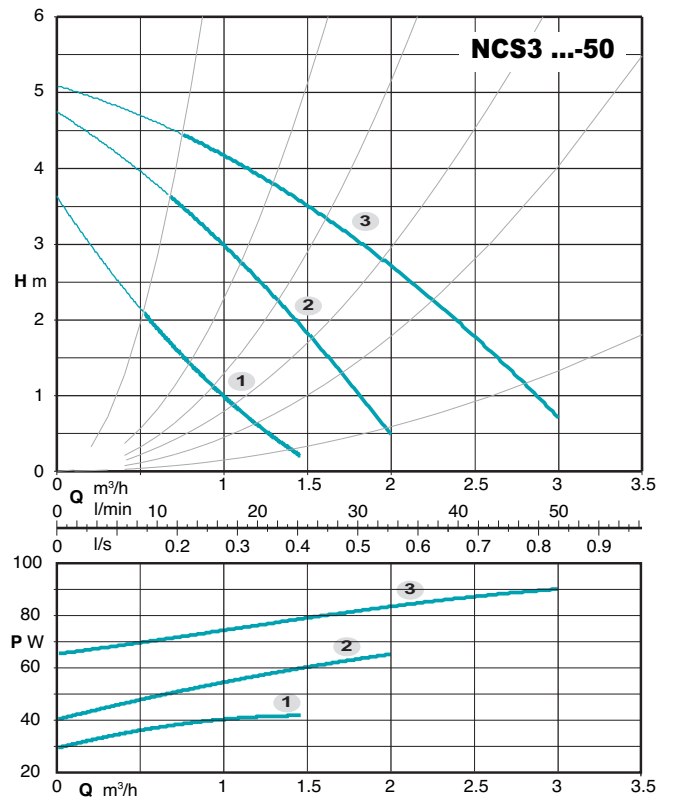
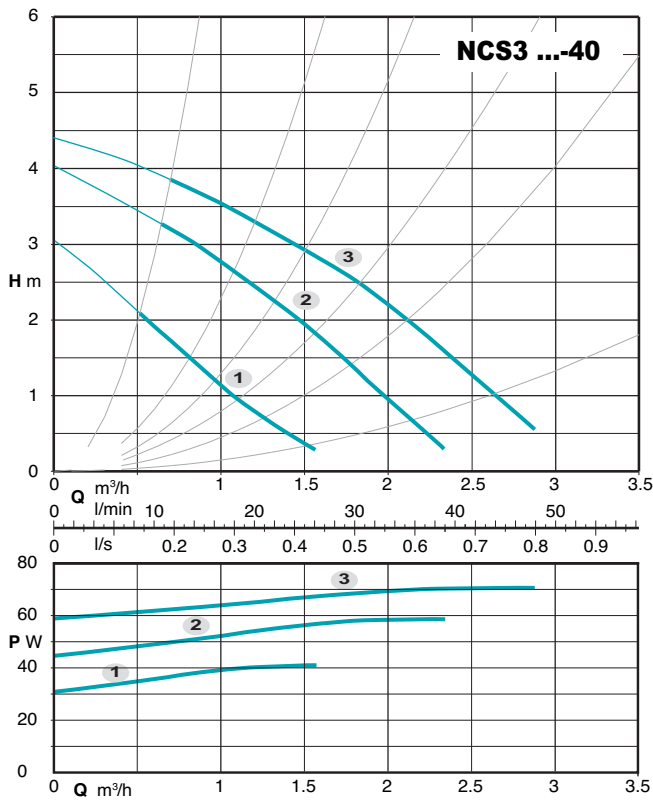
		DN	DN1
KIT G 1 1/4 - G 3/4	(NCS3 20..)	G 1 1/4	G 3/4
KIT G 1 1/2 - G 1	(NCS3 25..)	G 1 1/2	G 1

## Désignation

NCS3 20 - 40 / 130

Série \_\_\_\_\_  
DN des orifices en mm \_\_\_\_\_  
Hauteur maxi dm \_\_\_\_\_  
Entraxe pour installation mm \_\_\_\_\_

## Characteristic curves, dimensions and weights



TYPE	DN	Pos.	P1 (W)	1x 230 V [A]	A mm	[kg]
NCS3 20-40/130	G 1 1/4	3	70	0,30	130	2,3
NCS3 25-40/130	G 1 1/2	1	59	0,26		
NCS3 20-50/130	G 1 1/4	3	91	0,38	130	2,5
	G 1 1/2	2	65	0,28		
NCS3 25-50/130	G 1 1/2	1	42	0,18	130	3,8
	G 1 1/4	3	148	0,66		
NCS3 20-70/130	G 1 1/4	3	148	0,66	130	3,8
	G 1 1/2	2	128	0,59		
NCS3 25-70/130	G 1 1/2	1	87	0,41		