

# ALM - ALP

## IN-LINE PUMPS



### HEATING, AIR CONDITIONING SYSTEMS, SOLAR PANEL AND HOT WATER SYSTEMS

Circulating pumps with in-line **connections**, suitable for civil and industrial installations for heating, air-conditioning and hot water for **domestic use**.

Pump body and motor support in cast iron for ALM 500 and ALP 2000 and in bronze for ALM 200 and ALP 800. Technopolymer impeller and carbon/ceramic mechanical seal. Two-pole, asynchronous motor for the ALP version and four-pole for the ALM version.

Built-in thermal and current overload protection and a capacitor permanently on in the single-phase version. Three-phase motors should be protected with a suitable overload protection complying with the regulations in force.

**Operating range:** from 0,6 to 8,4 m<sup>3</sup>/h with head up to 21 metres.

**Liquid temperature range:** from +15°C to +120°C.

**Pumped liquid characteristics:** clean, free from solids or abrasive substances, not viscous, not aggressive, not crystallised, chemically neutral, close to the characteristics of water.

**Maximum ambient temperature:** + 40°C

**Maximum working pressure:** 10 bar (1000 kPa).

**Protection level:** IP 55

**Insulation class:** F

## TECHNICAL DATA - 200 /800 Single



ALM - 1400 r.p.m 1/min - 4 poles  
ALP - 2800 r.p.m 1/min - 2 poles

MODEL	CODE	ELECTRICAL DATA								
		VOLTAGE 50 Hz	MOTOR TYPE	n r.p.m. 1/min	P1 MAX kW	P2 NOMINAL		In A	CAPACITOR	
						kW	HP		µF	VC
ALM 200 M	105100004	1x220-240V ~	4 POLES	1480	0,14	0,059	0,08	0,7	8	450
ALM 200 T	105100014	3 x 230V ~	4 POLES	1475	0,08	0,059	0,08	0,53-0,3	-	-
		3 x 400V ~								
ALP 800 M	105100084	1x220-240V ~	2 POLES	2925	0,24	0,37	0,5	1,4	10	450
ALP 800 T	105100094	3 x 230V ~	2 POLES	2915	0,20	0,37	0,5	1,2-0,7	-	-
		3 x 400V ~								

## TECHNICAL DATA - 500/ 2000 Single

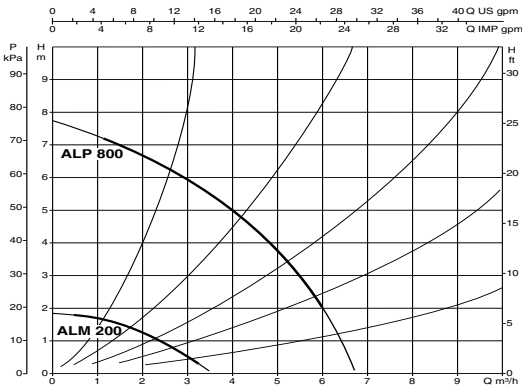


ALM - 1400 r.p.m. 1/min - 4 poles  
ALP - 2800 r.p.m 1/min - 2 poles

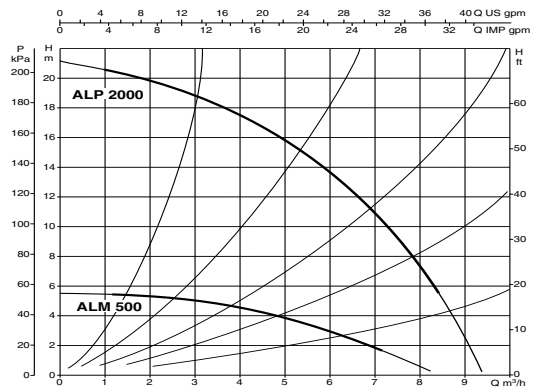
MODEL	CODE	ELECTRICAL DATA								
		VOLTAGE 50 Hz	MOTOR TYPE	n r.p.m. 1/min	P1 MAX kW	P2 NOMINAL		In A	CAPACITOR	
						kW	HP		µF	VC
ALM 500 M	105100024	1x220-240V ~	4 POLES	1425	0,22	0,25	0,33	1	8	450
ALM 500 T	105100034	3 x 230 - 400V ~	4 POLES	1465	0,19	0,25	0,33	1-0,6	-	-
ALP 2000 M	105100124	1x220-240V ~	2 POLES	2870	0,75	0,55	0,75	3,7	16	450
ALP 2000 T	105100134	3 x 230 - 400V ~	2 POLES	2830	0,66	0,55	0,75	2,3-1,3	-	-

# ALM - ALP IN-LINE PUMPS

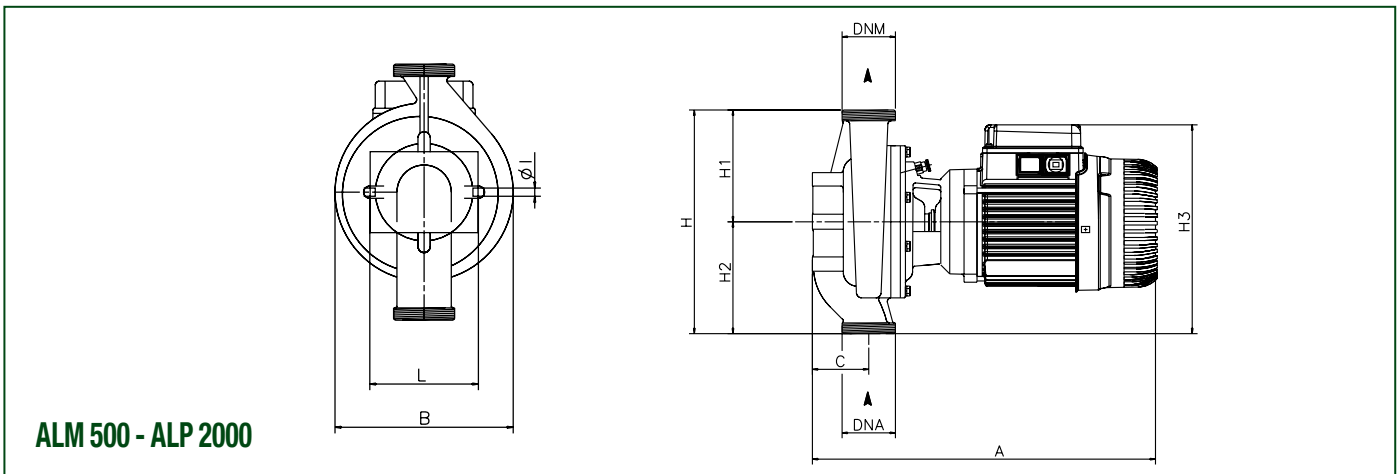
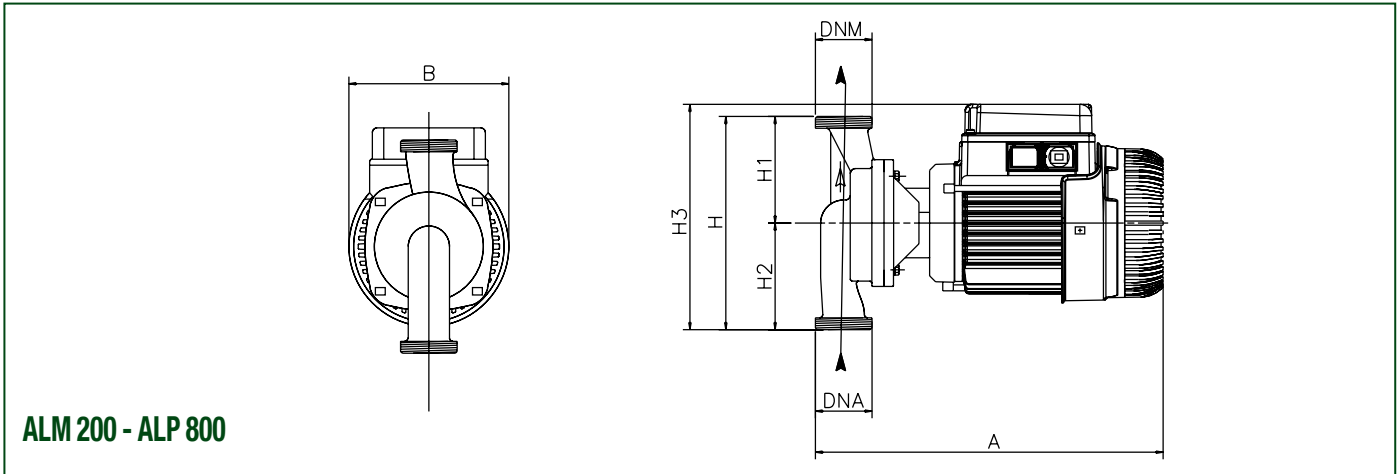
## ALM 200 - ALP 800



## ALM 500 - ALP 2000



## DIMENSIONS AND WEIGHTS



MODEL	A	B	C	L	Ø	H	H1	H2	H3	DNA NPT	DNM NPT	PACKAGING DIMENSIONS			WEIGHT KG	Q.TY X PALLET
												L/A	L/B	H		
ALM 200	300	136	-	-	-	180	90	90	190	1 1/2" G-M	1 1/2" G-M	332	202	257	39	7,5
ALP 800	300	136	-	-	-	180	90	90	190	1 1/2" G-M	1 1/2" G-M	332	202	257	39	7,5
ALM 500	386	174	63	95	8	250	125	125	235	2" G-M	2" G-M	492	232	292	21	14,5
ALP 2000	386	174	63	95	8	250	125	125	235	2" G-M	2" G-M	492	232	292	21	14,5