

# ESWIM

ELECTRONIC SWIMMING POOL PUMP





DISCOVER THE SVRS MODEL WITH ANTI-ENTRAPMENT SAFETY SYSTEM



### TECHNICAL DATA

**Operating range:** 30 m<sup>3</sup>/h  
**Maximum head:** 15,4 m  
**Pumped liquid:** clean or slightly dirty water with suspended solid bodies, long fibers; particularly aggressive water with high percentages of chlorine / bromine and PHMB (Polyhexamethylene Biguanide) or water treated with chlorine electrolysis process  
**PH Range:** 6,5 - 8,4  
**Pumped liquid temperature range:** da +4°C a +40°C  
**Maximum ambient temperature:** +50°C  
**Maximum operating pressure:** 2,5 bar / 250 kPa  
**Protection class of the motor:** IP X5  
**Insulation class:** F  
**Impeller material:** techopolimer  
**Standard voltage:** 230 V 50 Hz o 60 Hz  
**Power cord (m) and plug:** not available  
**Installation:** portable or fixed  
**Certifications:** energy Star, SVRS (only SVRS version)

Eswim and Eswim SVRS are electronic pumps with inverters for filtration in swimming pools or fish farms, including salt water, to be used in domestic and residential environments. Silent, programmable and equipped with a large inspectable pre-filter. The 12-pin control board of Eswim and Eswim SVRS makes them compatible with any control panel, analog or digital.

### CONSTRUCTION FEATURES OF THE PUMP

High capacity strainer basket, with easy to remove cover with filter simple to pull out and cleaning. The filter is in antioxidant material for quick and easy visual inspection. Equipped with rubber feet to reduce vibrations. Bayonet lid closure.

### CONSTRUCTION FEATURES OF THE MOTOR

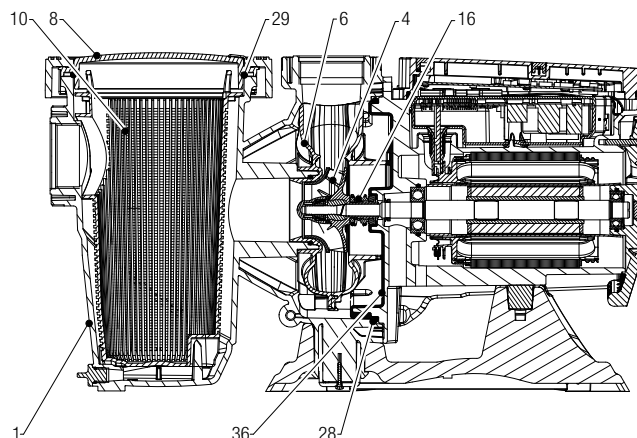
Synchronous permanent magnet motor, brushless, with encapsulated magnetized rotor, cooled by the pumped liquid (without cooling fan), with a noise level of only 45 dB. The aluminum motor casing is coated with elastomer.

### ELECTRONIC FEATURES

The remote control is possible via 0-10 V, 4-20 mA and PWM signal. Thanks to the variable frequency drive, the pumps can operate at constant speed or constant flow (without the use of sensors) to optimize performance and minimize energy consumption. The control panel has 4 buttons with 8 programmable speeds and status and alarm LEDs. There is a menu for weekly and seasonal programming. The SVRS version is equipped with a software function that disables pump suction if an obstruction is detected. "SVRS" is an acronym that means Safety Vacuum Release Systems.

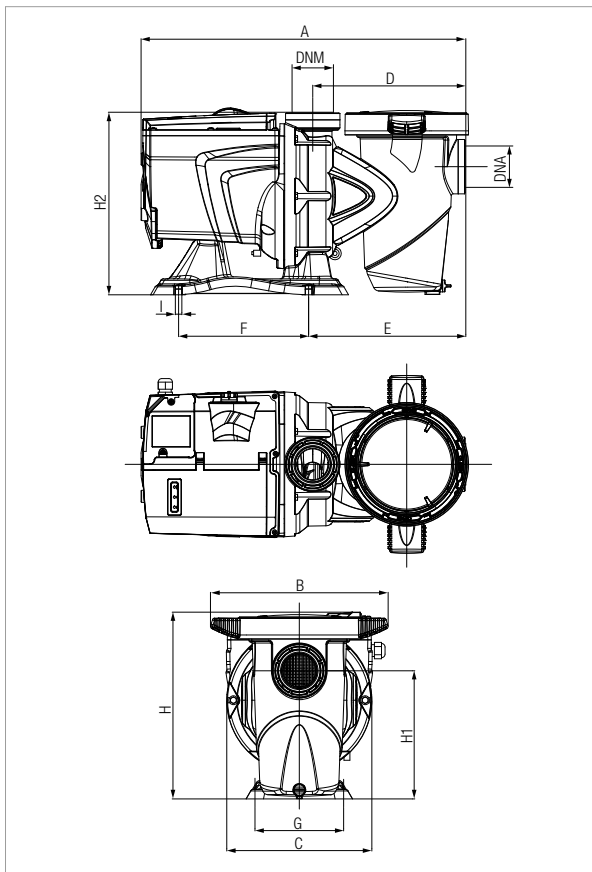
## MATERIALS

N.	PARTS	MATERIALS
1	PUMP BODY	REINFORCED TECHNOPOLYMER
4	IMPELLER	REINFORCED TECHNOPOLYMER
6	VOLUTE	REINFORCED TECHNOPOLYMER
8	STRAINER COVER	POLYCARBONATE
10	STRAINER	TECHNOPOLYMER
16	MECHANICAL SEAL	CARBON/ALUMINA/NBR/AISI316
28	O-RING	NBR
29	O-RING	NBR
36	SEAL HOLDING DISC	EPDM

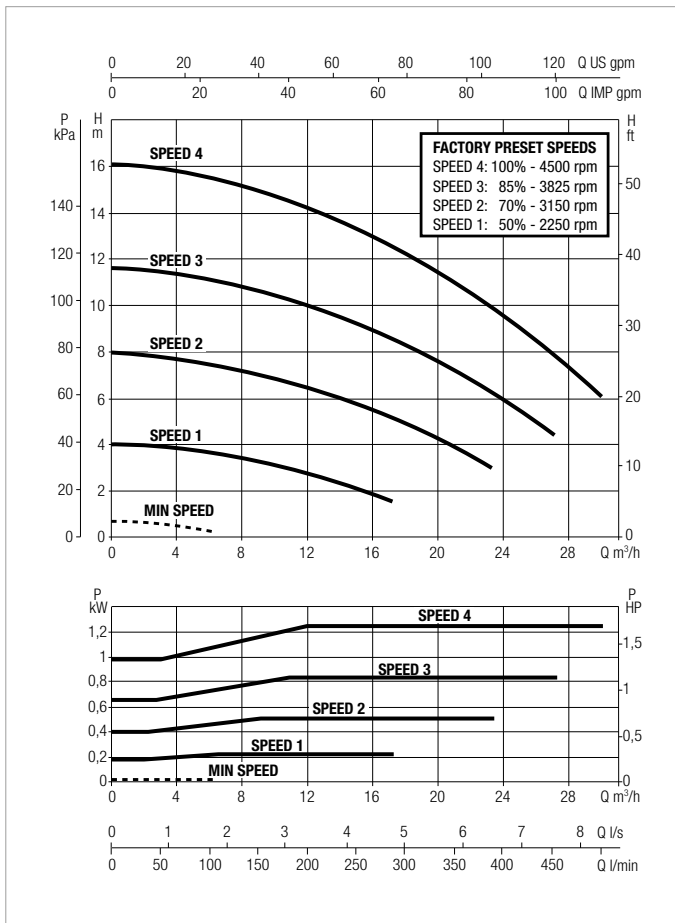


# ESWIM 150 - SWIMMING POOL PUMP

Pumped liquid temperature range: up to 40 °C - Maximum ambient temperature: +50 °C



The performance curves are based on kinematic viscosity values = 1 mm<sup>2</sup>/s and density equal to 1000 kg/m<sup>3</sup>. Curve tolerance according to ISO 9906.



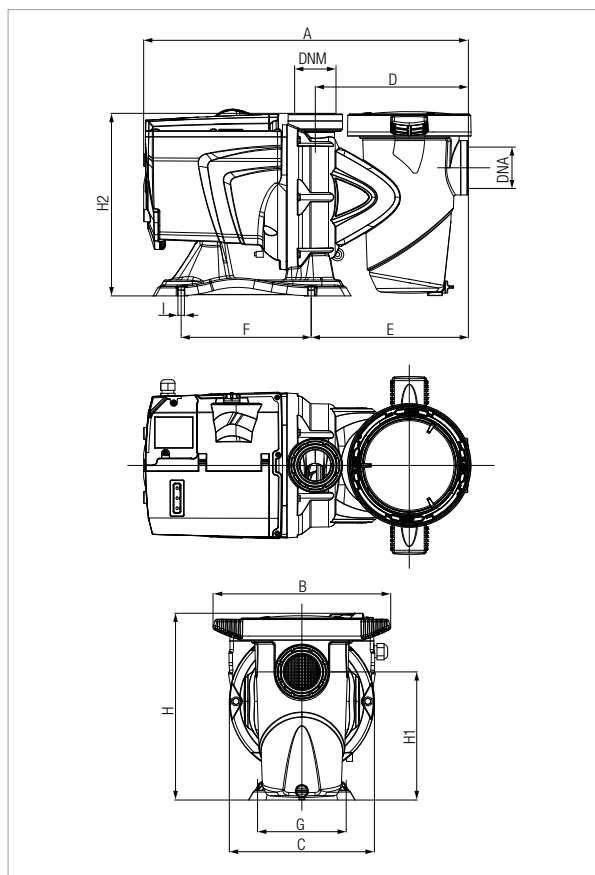
MODEL	Q= m³/h	0	6	9	12	15	18	21	24	27	30
	Q=l/min	0	100	150	200	250	300	350	400	450	500
ESWIM 150	H (m)	15,9	15,7	15,2	14,4	13,4	12,2	10,9	9,4	7,9	6,3
ESWIM 150 SVRS	H (m)	15,9	15,7	15,2	14,4	13,4	12,2	10,9	9,4	7,9	6,3

MODEL	POWER INPUT 50 Hz	P1 MAX kW	P2 NOMINAL		In A	NOISE LEVEL - MEDIUM WORKING POSITION db (A)
			kW	HP		
ESWIM 150	230 V	1,25	1,1	1,5	5,6	50 dB(A)
ESWIM 150 SVRS	230 V	1,25	1,1	1,5	5,6	50 dB(A)

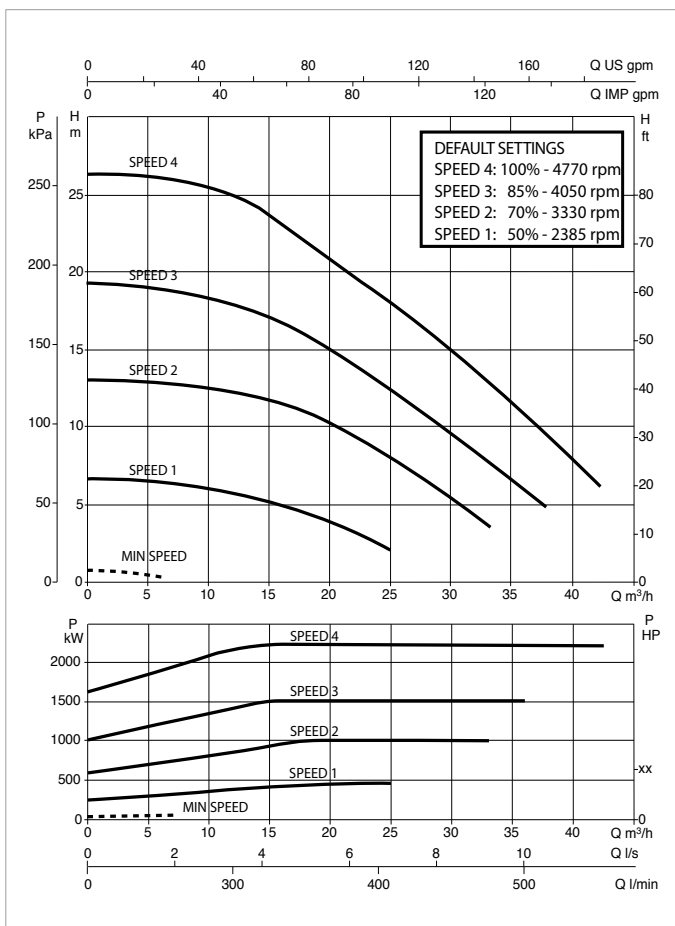
MODEL	A	B	C	D	E	F	G	H	H1	H2	I	DNA	DNM	PACKING DIMENSIONS			GROSS WEIGHT kg	Q.TY X PALLET
														L/A	L/B	H		
ESWIM 150	550	300	245	259	266	220	150	316	217	309	11	2" F	2" F	720	350	430	19	8
ESWIM 150 SVRS	550	300	245	259	266	220	150	316	217	309	11	2" F	2" F	720	350	430	19	8

# ESWIM 300 - SWIMMING POOL PUMP

Pumped liquid temperature range: up to 40 °C - Maximum ambient temperature: +50 °C



The performance curves are based on kinematic viscosity values = 1 mm<sup>2</sup>/s and density equal to 1000 kg/m<sup>3</sup>. Curve tolerance according to ISO 9906.



MODEL	Q= m <sup>3</sup> /h	0	5	10	15	20	25	30	35	40	42,6
	Q=l/min	0	83	166	250	333	416	500	583	666	710
<b>ESWIM 300</b>	H (m)	26	25,4	24,8	23,2	20,6	17,4	14,4	11,5	7,8	6

MODEL	POWER INPUT 50 Hz	P1 MAX kW	P2 NOMINAL		In A	NOISE LEVEL - MEDIUM WORKING POSITION db (A)
			kW	HP		
<b>ESWIM 300</b>	230 V	2,25	1,9	2,6	10	44 dB(A)

MODEL	A	B	C	D	E	F	G	H	H1	H2	I	DNA	DNM	PACKING DIMENSIONS			GROSS WEIGHT kg	Q.TY X PALLET
														L/A	L/B	H		
<b>ESWIM 300</b>	574	304	290	269	276	220	150	354	252	344	11	2" F	2" F	720	350	430	21,3	6





# DAB

PUMPS SELECTOR



## On-line selection tool



**DAB PUMPS LTD.**

6 Gilbert Court  
Newcomen Way  
Severalls Business Park  
Colchester  
Essex  
CO4 9WN - UK  
[salesuk@dwtgroup.com](mailto:salesuk@dwtgroup.com)  
Tel. +44 0333 777 5010



**DAB PUMPS IBERICA S.L.**

Calle Verano 18-20-22  
28850 - Torrejón de Ardoz - Madrid  
Spain  
[Info.spain@dwtgroup.com](mailto:Info.spain@dwtgroup.com)  
Tel. +34 91 6569545  
Fax: +34 91 6569676



**DAB PUMPS SOUTH AFRICA (PTY) LTD**

Twenty One industrial Estate,  
16 Purlin Street, Unit B, Warehouse 4  
Olifantsfontein -1666 - South Africa  
[info.sa@dwtgroup.com](mailto:info.sa@dwtgroup.com)  
Tel. +27 12 361 3997



**DAB PUMPS BV**

"Hofveld 6 C1  
1702 Groot Bijgaarden - Belgium  
[info.belgium@dwtgroup.com](mailto:info.belgium@dwtgroup.com)  
Tel. +32 2 4668353



**DAB PUMPS HUNGARY KFT.**

H-8800  
Nagykanizsa, Buda Ernő u.5  
Hungary  
Tel. +36 93501700



**DAB PUMPS (QINGDAO) CO. LTD.**

No.40 Kaituo Road, Qingdao Economic & Technological  
Development Zone  
Qingdao City, Shandong Province - China  
PC: 266500  
[sales.cn@dwtgroup.com](mailto:sales.cn@dwtgroup.com)  
Tel. +86 400 186 8280  
Fax +86 53286812210



**DAB PUMPS B.V.**

Albert Einsteinweg, 4  
5151 DL Drunen - Nederland  
[info.netherlands@dwtgroup.com](mailto:info.netherlands@dwtgroup.com)  
Tel. +31 416 387280  
Fax +31 416 387299



**DAB PUMPS POLAND Sp. z o.o.**

Ul. Janka Muzykanta 60  
02-188 Warszawa - Poland  
[polska@dabpumps.com.pl](mailto:polska@dabpumps.com.pl)



**DAB PUMPS DE MÉXICO, S.A. DE C.V.**

Av Amsterdam 101 Local 4  
Col. Hipódromo Condesa,  
Del. Cuauhtémoc CP 06170  
Ciudad de México  
Tel. +52 55 6719 0493



**DAB PUMPEN DEUTSCHLAND GmbH**

Tackweg 11  
D - 47918 Tönisvorst - Germany  
[info.germany@dwtgroup.com](mailto:info.germany@dwtgroup.com)  
Tel. +49 2151 82136-0  
Fax +49 2151 82136-36



**DAB PUMPS INC.**

3226 Benchmark Drive  
Ladson, SC 29456 - USA  
[info.usa@dwtgroup.com](mailto:info.usa@dwtgroup.com)  
Tel. 1- 843-797-5002  
Fax 1-843-797-3366



**DAB PUMPS OCEANIA PTY LTD**

426 South Gippsland Hwy,  
Dandenong South VIC 3175 - Australia  
[info.oceania@dwtgroup.com](mailto:info.oceania@dwtgroup.com)  
Tel. +61 1300 378 677