

# NOVAPOND

## SUBMERSIBLE PUMPS



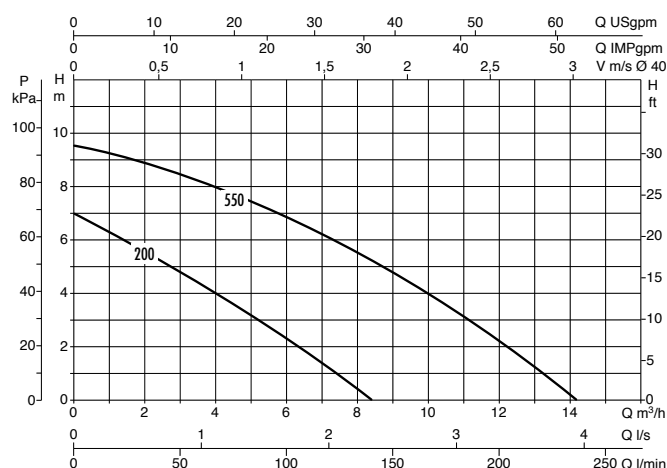
### PUMPS FOR PONDS AND FOUNTAIN

The models NovaPond are submersible pumps specially designed for the recirculation of water in garden ponds, to create waterfalls or other water features. They are designed to pump clean water containing solid particles with a maximum diameter of 10 mm. Suitable for continuous operation. Designed for horizontal or vertical installation. Environmentally safe.

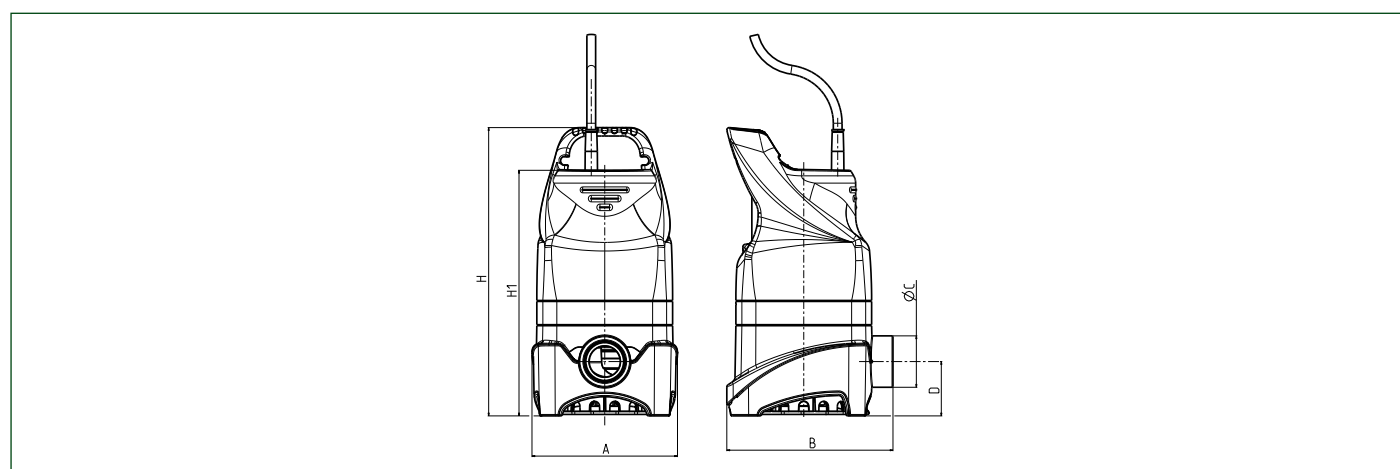
Materials resistant to corrosion and oxidation.  
 Motor with thermal overload protection.  
 Adjustable suction filter to enable transit of solid particles with a diameter from 5 mm to 10 mm.  
 Supplied with power cable and plug, and self-sealing coupling.

## TECHNICAL DATA

MODEL	CODE	ELECTRICAL DATA				
		VOLTAGE 50 HZ	P1 MAX KW	P2 NOMINAL		IN A
				KW	HP	
NOVAPOND 200 M	60122681	1X230 V~	280	0,2	0,28	1,3
NOVAPOND 550 M	60122684	1X230 V~	750	0,55	0,75	3,3



## DIMENSIONS AND WEIGHTS



MODEL	A	B	ØC	D	H	H1	DNM GAS	CABLE	WEIGHT KG	Q.TY X PALLETS
NOVAPOND 200 M	150	170	53	56	300	255	1/4"	10 mt.	4,3	48
NOVAPOND 550 M	150	170	53	56	330	285	1/4"	10 mt.	6,2	48