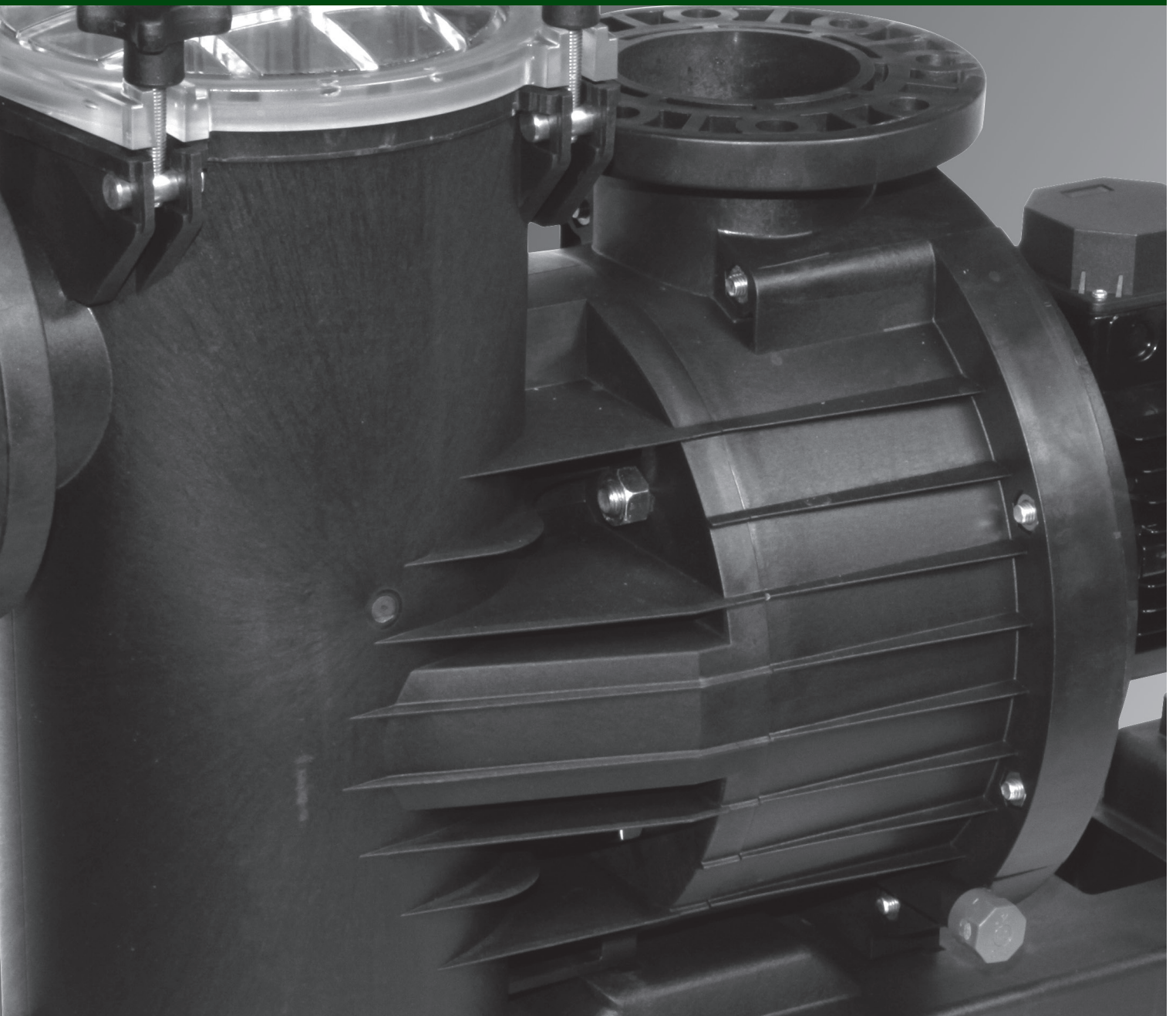


**EUROPRO HIGH FLOW**  
SWIMMING POOL CENTRIFUGAL PUMPS





# EUROPRO HIGH FLOW

## SWIMMING POOL CENTRIFUGAL PUMPS

### TABLE OF SELECTION

MODEL	H=m	6	8	10	12	14	16	18	20	22
EUROPRO 350 T	Q (m <sup>3</sup> /h)	62	51	40	28	8				
EUROPRO 400 T		72	63	54	42	28	7			
EUROPRO 550 T		122	104	84	52					
EUROPRO 750 T		144	126	106	84	56				
EUROPRO 1000 T		160	144	126	107	84	48			
EUROPRO 1250 T			176	160	144	125	105	80	50	
EUROPRO 1500 T			180	168	155	142	130	115	96	67



### TECHNICAL DATA

**Operating range:** Up to 190 m<sup>3</sup>/h with head up to 22 m

**Temperature range of the liquid:** Up to 40°C

**Pumped Liquid:** clean or slightly dirty water or a little aggressive (Poly Hexamethylene Biguanide) or water treated with chlorine electrolysis process.

**Maximum ambient temperature:** 40°C

**Installation:** in horizontal position

**Special executions on request:** other frequencies and/or voltages

### APPLICATIONS

Self-priming, high-performance centrifugal pumps, with built-in large capacity prefilter. 2 or 4 pole motor completely isolated from the water. Extremely quiet and highly reliable, developed for the circulation and filtration in large swimming pool filtration systems. Also suitable for particular applications that require handling of **seawater** thanks to the mechanical seal made of AISI 316.

### STRUCTURAL CHARACTERISTICS OF THE PUMP:

Prefilter body, pump body, spiral, counterspiral and pump body lid are made of polypropylene, resistant to chemical products found in swimming pools and reinforced with fiber glass. Prefilter basket made of zinc. Prefilter lid made of transparent polycarbonate with four knobs locking system.

### CONSTRUCTION FEATURES

Closed asynchronous motor with external ventilation with 2 or 4 poles depending on the model, with a wide capacity range from 3 to 15 Hp.

Terminal box with IP55 Degree of protection.

Insulation class: F

Standard voltage: 3 x 230-400V 50 Hz up to 4 kW

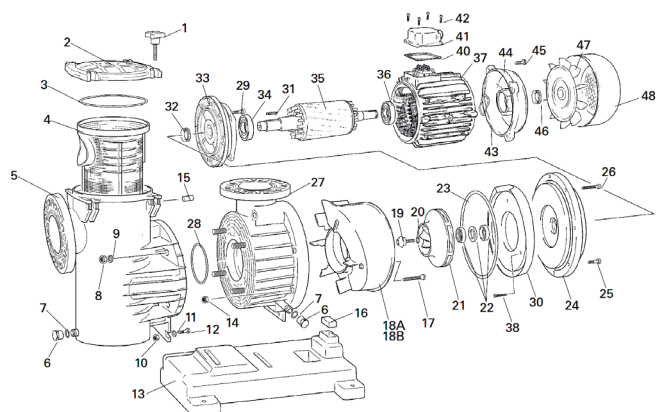
3 x 400-690V 50 Hz over 4 kW

### MATERIALI

N°	PARTICULARS	MATERIALS
5	PRE-FILTER BODY	POLYPROPYLENE WITH REINFORCED FIBERGLASS
27	PUMP BODY	POLYPROPYLENE WITH REINFORCED FIBERGLASS
18	SPIRAL	POLYPROPYLENE WITH REINFORCED FIBERGLASS
13	BASE	POLYPROPYLENE WITH REINFORCED FIBERGLASS
24	PUMP BODY COVER	POLYPROPYLENE WITH REINFORCED FIBERGLASS
4	PRE-FILTER BASKET	POLYETYLENE
2	PRE-FILTER COVER	POLYCARBONATE
21	IMPELLER	NORYL/BRONZE*
22	MECHANICAL SEAL	CARBON CERAMIC AND AISI 316
-	SCREWS	AISI 314
35	SHAFT	AISI 316

\* Bronze Impeller on request for 550 Europro T, T 750 and 1000 T models.

\* Bronze Impeller standard for T-1250 and 1500 Europro T models.



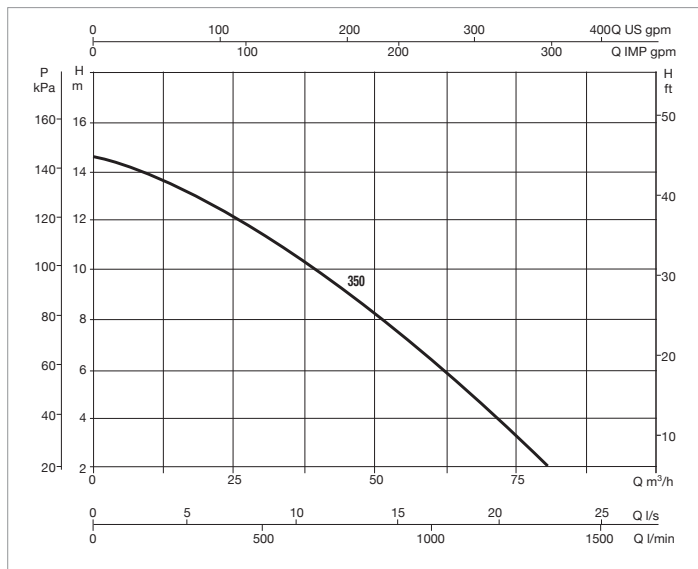
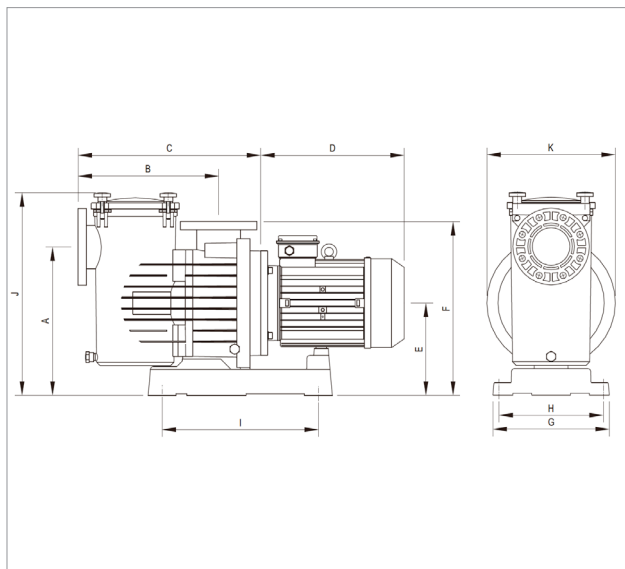
# CENTRIFUGAL PUMPS FOR FILTRATION SYSTEMS IN PUBLIC AND PRIVATE SWIMMING POOLS, INDUSTRIAL APPLICATIONS

## EUROPRO 350 T

MODEL	VOLTAGE 50 Hz	P1 MAX kW	P2 NOMINAL		In A			N. rpm	DNA	DNM
			HP	KW	230	400	690			
<b>EUROPRO 350 T</b>	3 x 230-400 V	2,97	3	2,2	9,4	5,3	-	1450	110	110

Liquid temperature range: up to 40°C. Operating range: up to 190 m³/h, head up to 22 m

MODEL	A	B	C	D	E	F	G	H	I	J	K	PACKAGING DIMENSIONS			WEIGHT Kg
												L	B	H	
<b>EUROPRO 350 T</b>	420	405	530	310	265	495	335	300	450	590	370	840	385	595	42,5



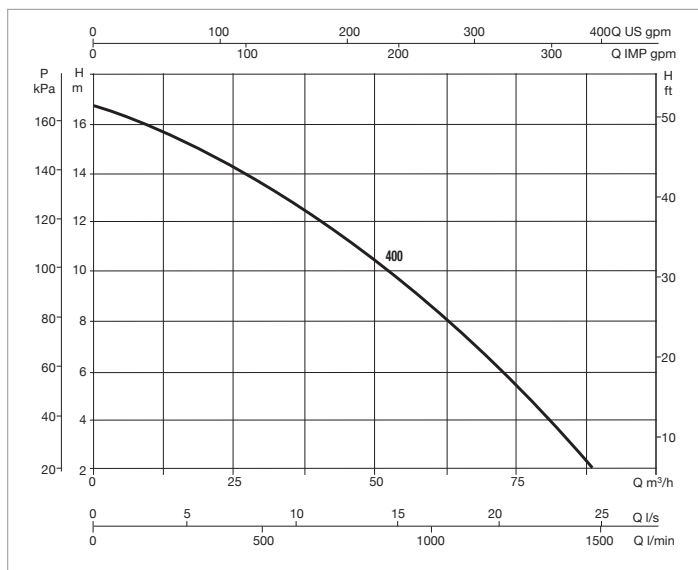
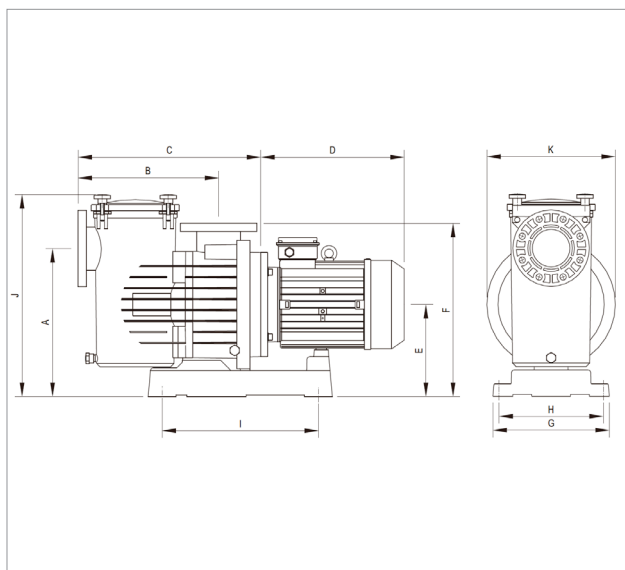
The performance curves are based on the kinematic viscosity values = 1 mm²/s and density of 1000 kg/m³. Curve tolerance according to ISO9906.

## EUROPRO 400 T

MODEL	VOLTAGE 50 Hz	P1 MAX kW	P2 NOMINAL		In A			N. rpm	DNA	DNM
			HP	KW	230	400	690			
<b>EUROPRO 400 T</b>	3 x 230-400 V	3,83	4	3	12,5	6,9	-	1450	110	110

Liquid temperature range: up to 40°C. Operating range: up to 190 m³/h, head up to 22 m

MODEL	A	B	C	D	E	F	G	H	I	J	K	PACKAGING DIMENSIONS			WEIGHT Kg
												L	B	H	
<b>EUROPRO 400 T</b>	420	405	530	310	265	495	335	300	450	590	370	840	385	595	44,5



The performance curves are based on the kinematic viscosity values = 1 mm²/s and density of 1000 kg/m³. Curve tolerance according to ISO9906.

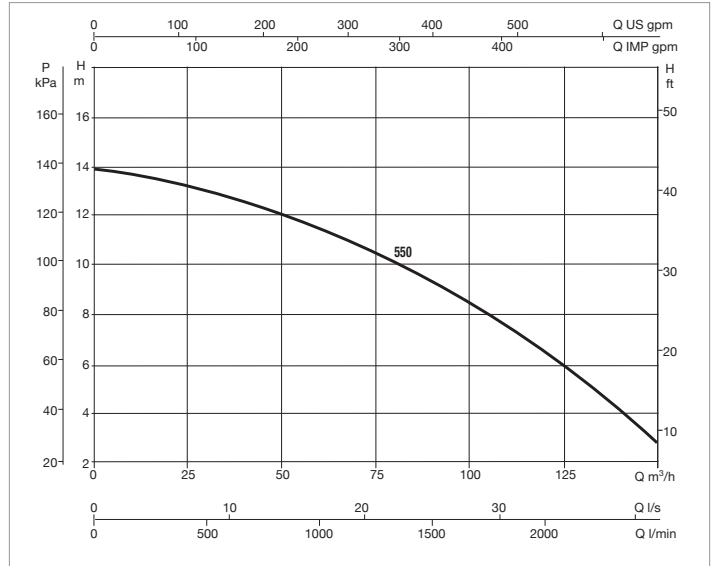
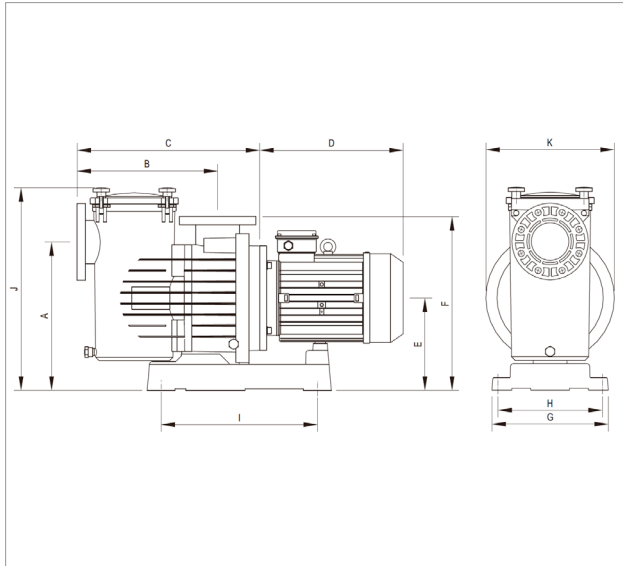
# CENTRIFUGAL PUMPS FOR FILTRATION SYSTEMS IN PUBLIC AND PRIVATE SWIMMING POOLS, INDUSTRIAL APPLICATIONS

## EUROPRO 550 T

MODEL	VOLTAGE 50 Hz	P1 MAX kW	P2 NOMINAL		In A			N. rpm	DNA	DNM
			HP	KW	230	400	690			
<b>EUROPRO 550 T</b>	3 x 230-400 V	5,54	5,5	4	15,3	8,8	-	1450	110	110

Liquid temperature range: up to 40°C. Operating range: up to 190 m³/h, head up to 22 m

MODEL	A	B	C	D	E	F	G	H	I	J	K	PACKAGING DIMENSIONS			WEIGHT Kg
												L	B	H	
<b>EUROPRO 550 T</b>	420	405	530	335	265	495	335	300	450	590	370	1170	385	715	53,5



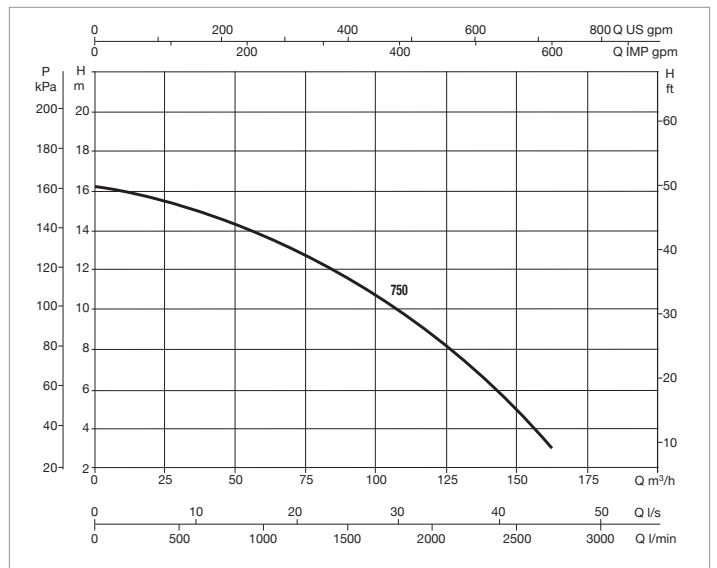
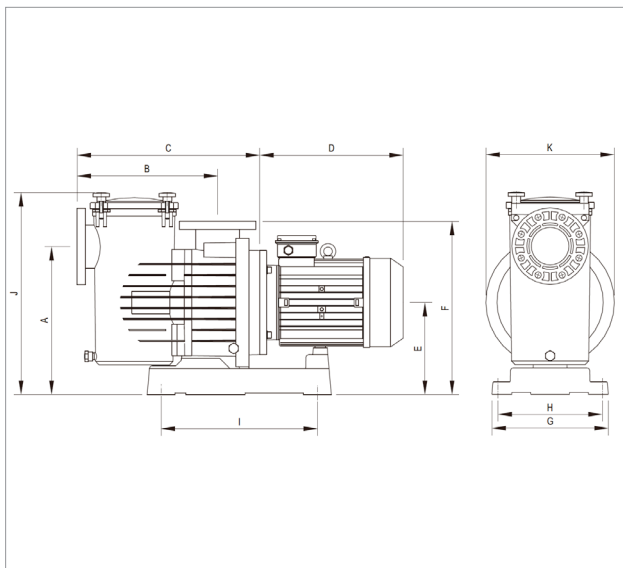
The performance curves are based on the kinematic viscosity values = 1 mm²/s and density of 1000 kg/m³. Curve tolerance according to ISO9906.

## EUROPRO 750 T

MODEL	VOLTAGE 50 Hz	P1 MAX kW	P2 NOMINAL		In A			N. rpm	DNA	DNM
			HP	KW	230	400	690			
<b>EUROPRO 750 T</b>	3 x 400-690 V	6,85	7,5	5,5	-	12	7	1450	110	110

Liquid temperature range: up to 40°C. Operating range: up to 190 m³/h, head up to 22 m

MODEL	A	B	C	D	E	F	G	H	I	J	K	PACKAGING DIMENSIONS			WEIGHT Kg
												L	B	H	
<b>EUROPRO 750 T</b>	420	405	508	380	265	495	335	300	450	590	370	1170	385	715	66



The performance curves are based on the kinematic viscosity values = 1 mm²/s and density of 1000 kg/m³. Curve tolerance according to ISO9906.

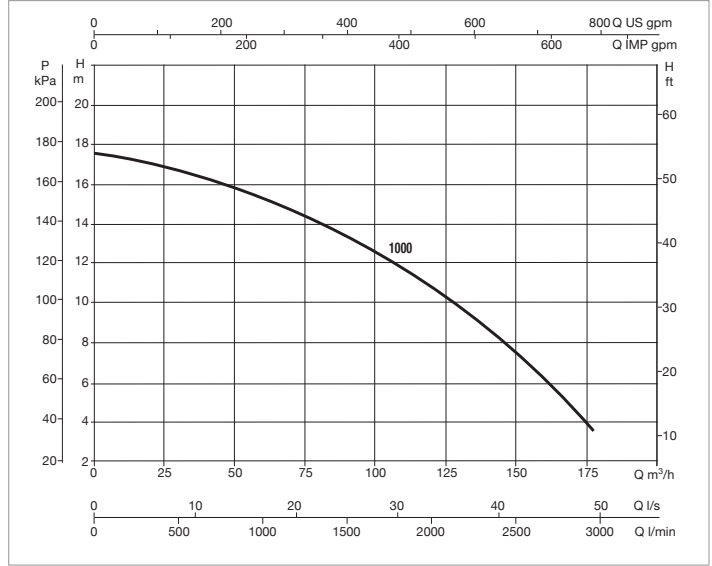
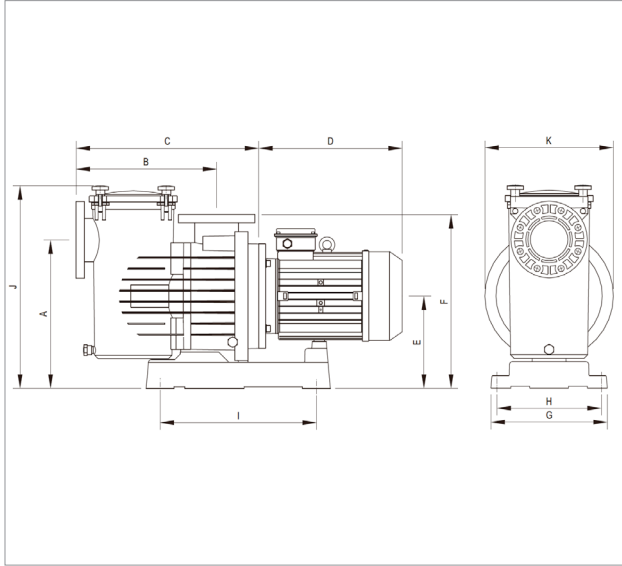
# CENTRIFUGAL PUMPS FOR FILTRATION SYSTEMS IN PUBLIC AND PRIVATE SWIMMING POOLS, INDUSTRIAL APPLICATIONS

## EUROPRO 1000 T

MODEL	VOLTAGE 50 Hz	P1 MAX kW	P2 NOMINAL		In A			N. rpm	DNA	DNM
			HP	KW	230	400	690			
<b>EUROPRO 1000 T</b>	3 x 400-690 V	8,26	10	7,5	-	15,8	9,2	1450	110	110

Campo di temperatura del liquido: fino a 40°C - Campo di funzionamento: fino a 190 m³/h con prevalenza fino a 22 m

MODEL	A	B	C	D	E	F	G	H	I	J	K	PACKAGING DIMENSIONS			WEIGHT Kg
												L	B	H	
<b>EUROPRO 1000 T</b>	420	405	508	380	265	495	335	300	450	590	370	1170	385	715	76



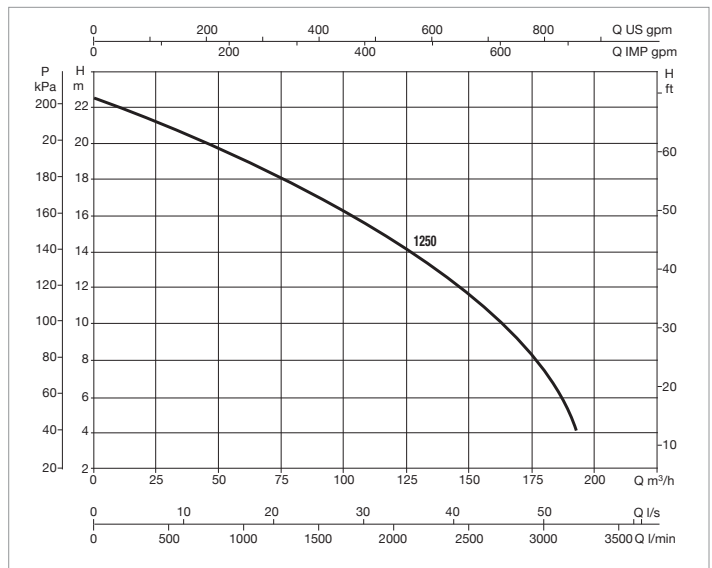
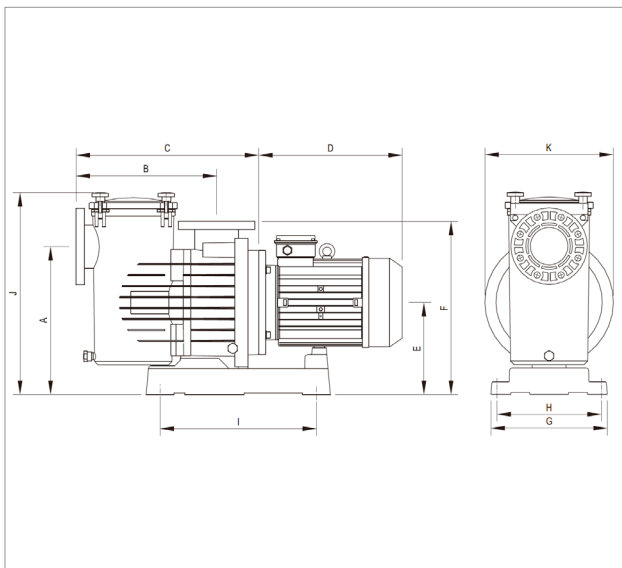
The performance curves are based on the kinematic viscosity values = 1 mm²/s and density of 1000 kg/m³. Curve tolerance according to ISO9906.

## EUROPRO 1250 T

MODEL	VOLTAGE 50 Hz	P1 MAX kW	P2 NOMINAL		In A			N. rpm	DNA	DNM
			HP	KW	230	400	690			
<b>EUROPRO 1250 T</b>	3 x 400-690 V	13,74	12,5	9,2	-	18,5	10,7	2850	110	110

Campo di temperatura del liquido: fino a 40°C - Campo di funzionamento: fino a 190 m³/h con prevalenza fino a 22 m

MODEL	A	B	C	D	E	F	G	H	I	J	K	PACKAGING DIMENSIONS			WEIGHT Kg
												L	B	H	
<b>EUROPRO 1250 T</b>	420	405	508	380	265	495	335	300	450	590	370	1170	385	715	84,5



Bronze impeller standard

The performance curves are based on the kinematic viscosity values = 1 mm²/s and density of 1000 kg/m³. Curve tolerance according to ISO9906.

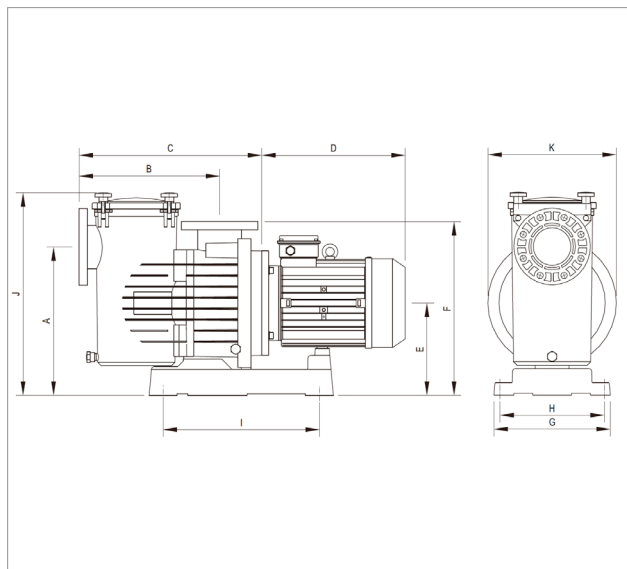
# CENTRIFUGAL PUMPS FOR FILTRATION SYSTEMS IN PUBLIC AND PRIVATE SWIMMING POOLS, INDUSTRIAL APPLICATIONS

## EUROPRO 1500 T

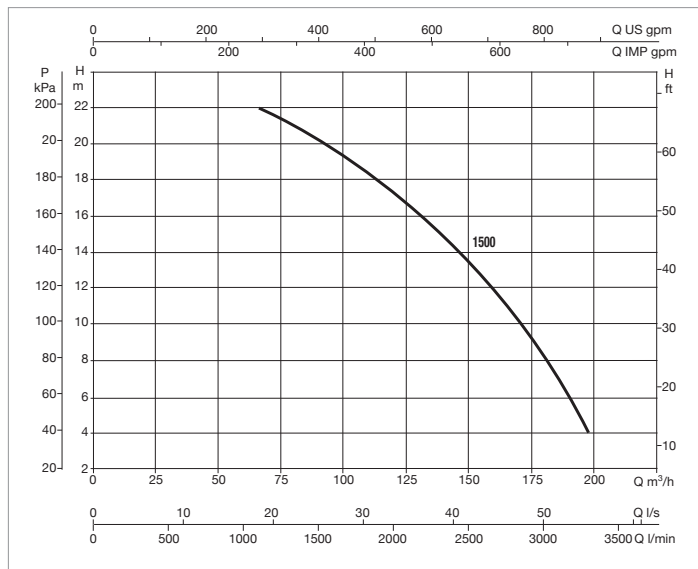
MODEL	VOLTAGE 50 Hz	P1 MAX kW	P2 NOMINAL		In A			N. rpm	DNA	DNM
			HP	KW	230	400	690			
<b>EUROPRO 1500 T</b>	3 x 400-690 V	15,73	15	11	-	20,9	12	2850	110	110

Campo di temperatura del liquido: fino a 40°C - Campo di funzionamento: fino a 190 m³/h con prevalenza fino a 22 m

MODEL	A	B	C	D	E	F	G	H	I	J	K	PACKAGING DIMENSIONS			WEIGHT Kg
												L	B	H	
<b>EUROPRO 1500 T</b>	420	405	508	380	265	495	335	300	450	590	370	1170	385	715	85,5



Bronze impeller standard



The performance curves are based on the kinematic viscosity values = 1 mm²/s and density of 1000 kg/m³. Curve tolerance according to ISO9906.





WATER • TECHNOLOGY

Via Marco Polo, 14 - Mestrino (PD) Italy - Phone +39.049.5125000 - Fax +39.049.5125950  
[www.dabpumps.com](http://www.dabpumps.com)



**DAB PUMPS LTD.**

Unit 4 and 5, Stortford Hall Industrial Park Dunmow Road,  
Bishops, Stortford, Herts  
CM23 5GZ - UK  
[salesuk@dwtgroup.com](mailto:salesuk@dwtgroup.com)  
Tel. +44 1279 652 776  
Fax +44 1279 657 727



**DAB PUMPS B.V.**

Albert Einsteinweg, 4  
5151 DL Drunen - Nederland  
[info.netherlands@dwtgroup.com](mailto:info.netherlands@dwtgroup.com)  
Tel. +31 416 387280  
Fax +31 416 387299



**DWT South Africa**

Podium at Menlyn,  
3rd Floor, Unit 3001b, 43 Ingersol Road,  
C/O Lois and Atterbury street,  
Menlyn, Pretoria, 0181, South-Africa  
[info.sa@dwtgroup.com](mailto:info.sa@dwtgroup.com)  
Tel +27 12 361 3997  
Fax +27 12 361 3137



**DAB PUMPS B.V.**

Brusselstraat 150  
B-1702 Groot-Bijgaarden - Belgium  
[info.belgium@dwtgroup.com](mailto:info.belgium@dwtgroup.com)  
Tel. +32 2 4668353  
Fax +32 2 4669218



**DAB PUMPEN DEUTSCHLAND GmbH**

Tackweg 11  
D - 47918 Tönisvorst - Germany  
[info.germany@dwtgroup.com](mailto:info.germany@dwtgroup.com)  
Tel. +49 2151 82136-0  
Fax +49 2151 82136-36



**DAB POLAND - Representative Office**

Mokotow Marynarska  
Ul. Postepu 15c - 3rd Floor  
02-676 Warsaw - POLAND  
Tel. +48 223 81 6085



**PUMPS AMERICA, INC. DAB PUMPS DIVISION**

3226 Benchmark Drive  
Ladson, SC 29456 USA  
[info.usa@dwtgroup.com](mailto:info.usa@dwtgroup.com)  
Tel. 1-843-824-6332  
Toll Free 1-866-896-4DAB (4322)  
Fax 1-843-797-3366



**DAB PUMPS IBERICA S.L.**

Avenida de Castilla nr.1 Local 14  
28830 - San Fernando De Henares - Madrid  
Spain  
[info.spain@dwtgroup.com](mailto:info.spain@dwtgroup.com)  
Tel. +34 91 6569545  
Fax: +34 91 6569676



**DAB UKRAINE Representative Office**

Regus Horizon Park  
4 M. Hrinchenka St, suit 116  
03680 Kiev, UKRAINE  
Tel. +38 044 391 59 43



**000 DWT GROUP**

100 bldg. 3 Dmitrovskoe highway  
127247 Moscow - Russia  
[info.russia@dwtgroup.com](mailto:info.russia@dwtgroup.com)  
Tel. +7 495 739 52 50  
Fax +7 495 485-3618



**DAB PUMPS CHINA**

No.40 Kaituo Road, Qingdao Economic & Technological  
Development Zone  
Qingdao City, Shandong Province, China  
PC: 266500  
[info.china@dwtgroup.com](mailto:info.china@dwtgroup.com)  
Fax +8653286812210  
Tel. +8653286812030-6270



**DAB PRODUCTION HUNGARY KFT.**

H-8800  
NAGYKANIZSA, Buda Ernó u.5  
HUNGARY  
Tel. +36.93501700