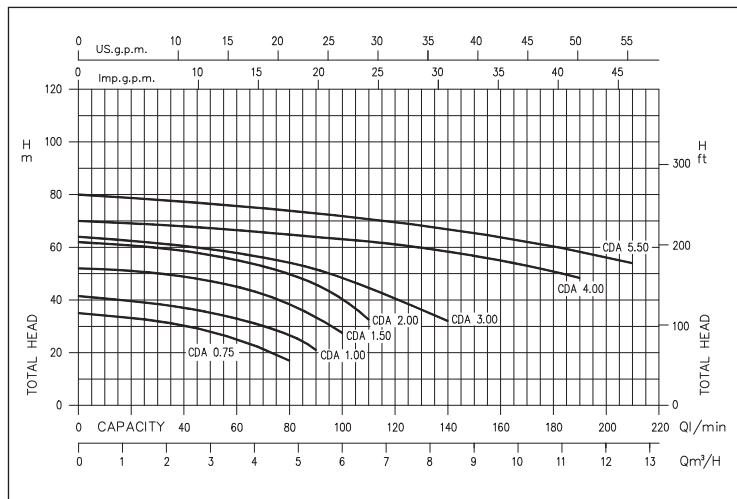


DUAL IMPELLER CENTRIFUGAL ELECTRIC PUMPS

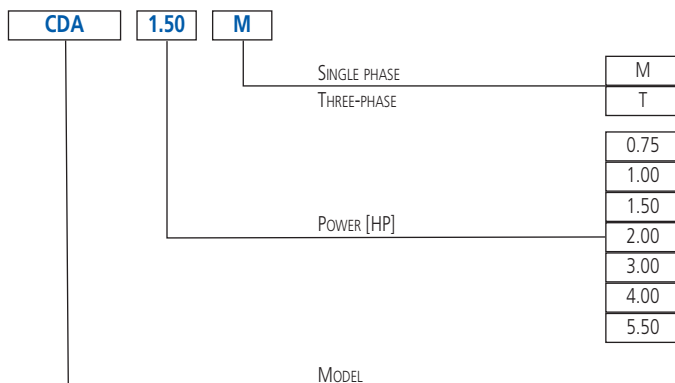
in cast iron



PERFORMANCE CURVES (according to ISO 9906 Attachment A)



IDENTIFICATION CODE



Cast iron dual impeller centrifugal electric pumps.

APPLICATIONS

- Pressure boosting domestic plants
- Small-sale irrigation
- Moving non-aggressive liquids for civil and industrial use
- Washing plants
- Washing vehicles

TECHNICAL DETAILS

- Available with brass impeller (CDA 0.75 M GO, CDA 1.00 M GO, CDA 1.00 T GO)
- They can be inserted into machinery for industrial use

TECHNICAL DATA

- Maximum working pressure 6 bar for CDA 0.75 - 1.00, 10 bar for the rest of the range
- Maximum temperature of the liquid 40°C for CDA 0.75 - 1.00, 90°C for the rest of the range
- Self-ventilated 2 pole asynchronous motor
- Class of insulation F
- IP44 Protection rating
- 230V ± 10%, 50Hz single phase voltage
- 230/400V ± 10% 50Hz three phase voltage
- Permanent capacitor inserted and thermo-ampereometric protection with automatic rearm incorporated for the single phase motor
- Protection under user's responsibility for the three phase version
- G1 suction connection for CDA 0.75 - 1.00, G1¼ for CDA 1.50 - 2.00 - 3.00, G1½ per CDA 4.00 - 5.50
- G1 discharge connection for CDA 0.75 - 1.00 - 1.50 - 2.00 - 3.00, G1¼ for CDA 4.00 - 5.50

MATERIALS

- Cast iron pump body
- Mechanical sealing in Carbon/Ceramic/NBR
- Impeller in technopolymer for CDA 0.75 - 1.00, in brass for the rest of the range
- Shaft in AISI 303 for CDA 1.50 - 2.00 - 3.00, in AISI 304 for CDA 4.00 - 5.50, in AISI 420 for CDA 0.75 - 1.00
- Support in aluminium for CDA 0.75 - 1.00, in cast iron for the rest of the range
- Seal housing disc in AISI 304 for CDA 0.75 - 1.00, in cast iron for the rest of the range

CONTROL PANELS

- 1EPBH (see page 207)

ACCESSORI

- 5 litre 10 bar ¾ EPDM vessel
- 24 litre 8 bar 1" EPDM vessel
- 24 litre 10 bar 1" EPDM vessel
- PVC 5m key float with counter-weight
- PVC 10m key float with counter-weight
- SQUARE-D FSG-2 1.4÷4.6 bar G¼ F pressure switch
- FYG-22 2.8÷7 bar G¼ F pressure switch
- Presscomfort - Pressure regulator (see page 208)
- Press•o•Matic - Variable speed control system (single phase 230V±10% - power supply three phase 220V output - maximum motor power 2.2 kW - 3 HP - see page 209)

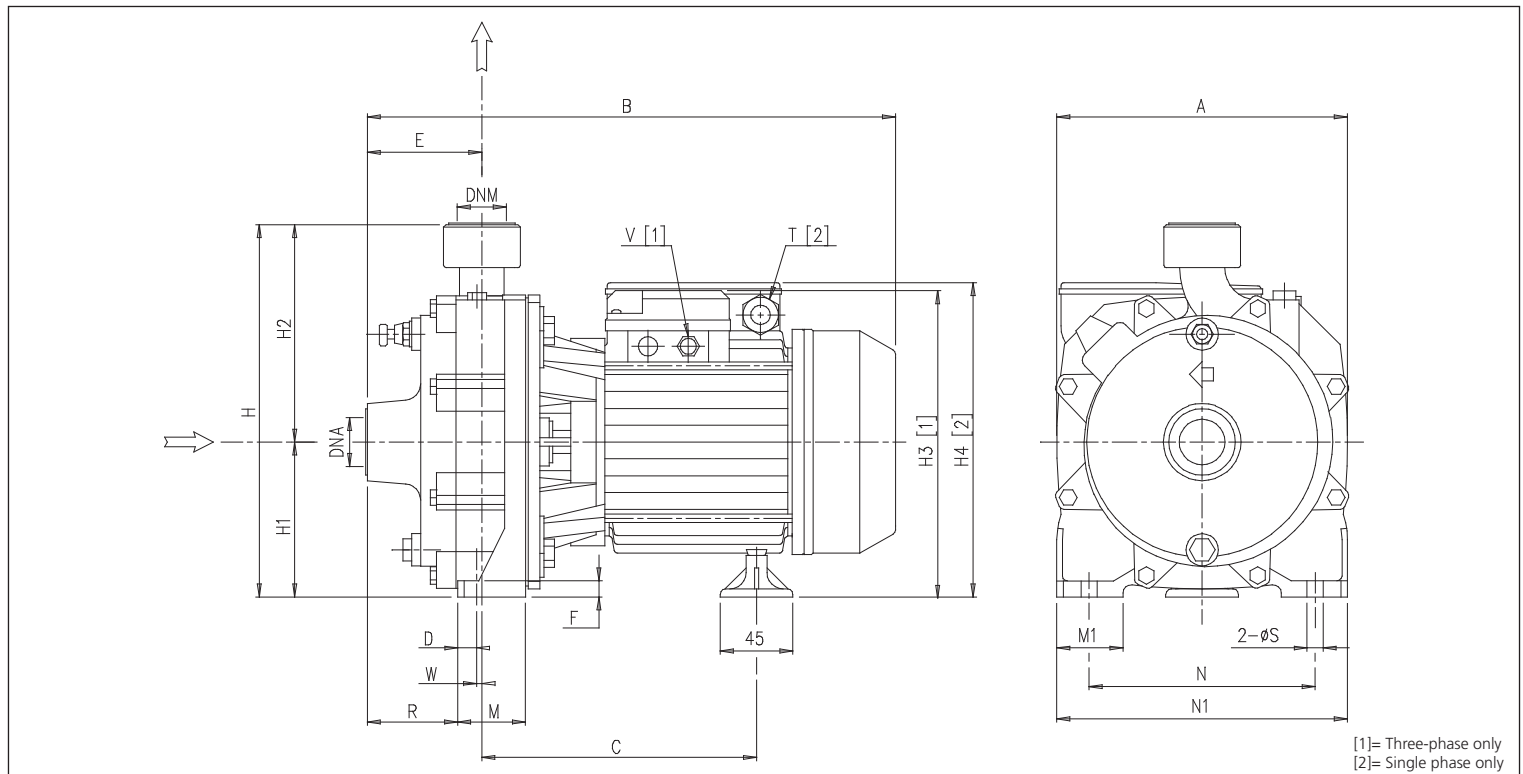
DUAL IMPELLER CENTRIFUGAL ELECTRIC PUMPS

in cast iron

PERFORMANCE TABLE

Model		P ₂		Q=Flow rate												
230V single phase	230/400V three-phase	[HP]	[kW]	l/min	20	40	50	80	90	100	110	140	170	190	210	
				m ³ /h	1,2	2,4	3	4,8	5,4	6	6,6	8,4	10,2	11,4	12,6	
				H=Head [m]												
CDA 0.75 M	CDA 0.75 T	0,75	0,55	33,0	30,2	27,9	17,0	-	-	-	-	-	-	-	-	-
CDA 1.00 M	CDA 1.00 T	1	0,75	39,5	37,0	35,2	27,0	21,0	-	-	-	-	-	-	-	-
CDA 1.50 M	CDA 1.50 T	1,5	1,1	50,8	48,8	47,1	38,4	33,4	27,5	-	-	-	-	-	-	-
CDA 2.00 M	CDA 2.00 T	2	1,5	60,5	58,6	56,9	49,8	46,5	40,3	32,5	-	-	-	-	-	-
-	CDA 3.00 T	3	2,2	-	60,5	59,3	54,1	51,6	48,4	44,6	32,0	-	-	-	-	-
-	CDA 4.00 T	4	3	-	-	67,0	64,8	63,9	62,5	62,0	58,0	53,5	48,0	-	-	-
-	CDA 5.50 T	5,5	4	-	-	76,5	73,9	72,9	71,8	70,5	66,8	62,0	58,3	54,0	-	-

DIMENSIONS



DIMENSIONS TABLE

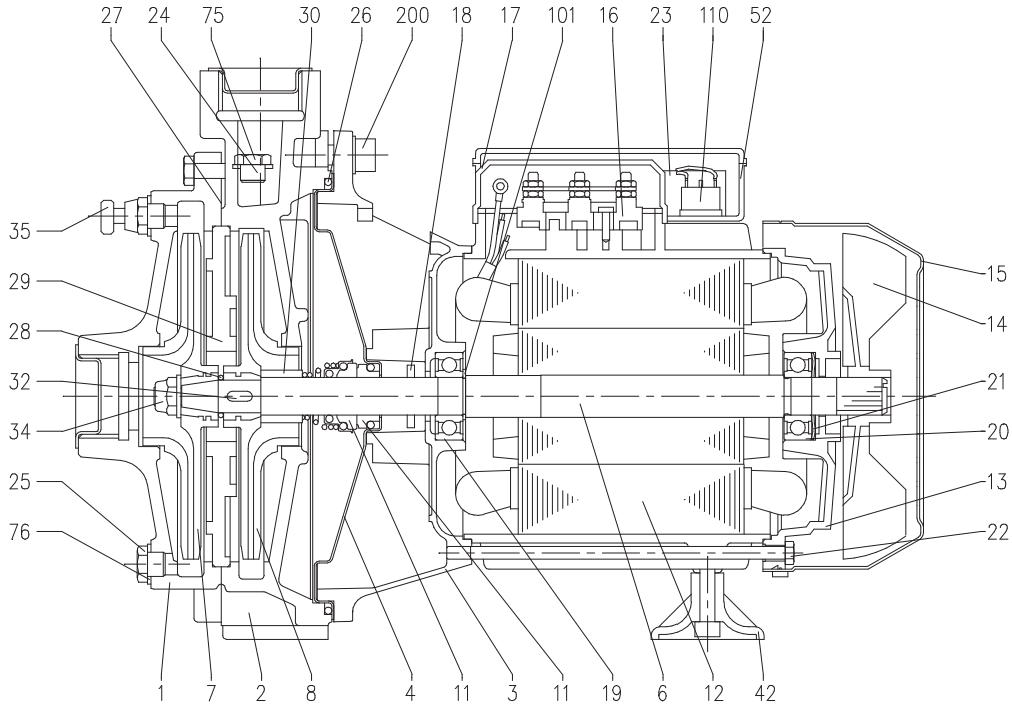
Model	Dimensions [mm]																Weight [kg]						
	A	B	C	D	E	F	H	H1	H2	[1] H3	[2] H4	M	M1	N	N1	R		[2] T	[1] V	W	S	DNA	DNM
CDA 0.75M	183	336,3	179,8	8,3	73	9	227	97	130	-	198	42	40	140	180	57,5	PG11	-	6,8	9,5	G 1	G 1	13,5
CDA 0.75T	183	336,3	179,8	8,3	73	9	227	97	130	197,5	-	42	40	140	180	57,5	-	PG11	6,8	9,5	G 1	G 1	13,5
CDA 1.00M	183	336,3	179,8	8,3	73	9	227	97	130	-	198	42	40	140	180	57,5	PG11	-	6,8	9,5	G 1	G 1	15,0
CDA 1.00T	183	336,3	179,8	8,3	73	9	227	97	130	197,5	-	42	40	140	180	57,5	-	PG11	6,8	9,5	G 1	G 1	15,0
CDA 1.50M	209	394,8	218,3	8,3	86	9	265	110	155	-	242	48	40	155	195	65,5	PG13,5	-	12,3	9,5	G 1 ¼	G 1	25,0
CDA 1.50T	194	394,8	218,3	8,3	86	9	265	110	155	224	-	48	40	155	195	65,5	-	PG11	12,3	9,5	G 1 ¼	G 1	25,0
CDA 2.00M	209	410,8	218,3	8,3	86	9	265	110	155	-	242	48	40	155	195	65,5	PG13,5	-	12,3	9,5	G 1 ¼	G 1	27,0
CDA 2.00T	194	394,8	218,3	8,3	86	9	265	110	155	224	-	48	40	155	195	65,5	-	PG11	12,3	9,5	G 1 ¼	G 1	27,0
CDA 3.00T	194	410,8	218,3	8,3	86	9	265	110	155	224	-	48	40	155	195	65,5	-	PG11	12,3	9,5	G 1 ¼	G 1	27,0
CDA 4.00T	228	467,3	225,3	12	95,5	12	308,5	133,5	175	264,5	-	57	50	180	230	71,5	-	G 1 ½	12,0	12	G 1 ½	G 1 ¼	42,5
CDA 5.50T	228	467,3	225,3	12	95,5	12	308,5	133,5	175	264,5	-	57	50	180	230	71,5	-	G 1 ½	12,0	12	G 1 ½	G 1 ¼	46,3

[1]= Three-phase only
[2]= Single phase only

DUAL IMPELLER CENTRIFUGAL ELECTRIC PUMPS

in cast iron

SECTIONAL VIEW



MATERIALS TABLE

Ref.	Name	Material	Ref.	Name	Material
1	Pump body	Cast iron	23	Capacitor [2]	-
2	Pump body	Cast iron	24	Filler cap	Brass
3	Motor support	see page 24	25	Drain plug	Brass
4	Seal housing disc	see page 24	26	O-Ring	NBR
6	Shaft	see page 24	27	Pump body gasket	Cellulose fibres
7	Impeller	see page 24	28	O-Ring	NBR
8	Impeller	see page 24	29	Intermediate disc	Cast iron
11	Mechanical sealing	Carbon/Ceramic/NBR	30	Seal spacer	Brass
12	Motor case	-	32	Key	AISI 304
13	Motor cover	Aluminium	34	Impeller nut [3]	AISI 304
14	Fan	Polypropylene	35	Bleed valve	-
15	Fan cover	Galvanised Fe P04	42	Foot	PVC
16	Terminal box	-	52	Capacitor-holder box [2]	Polypropylene
17	Terminal box cover [1]	Aluminium	75	Washer	Aluminium
18	Spray protector ring	NBR	76	Washer	Aluminium
19	Bearing (pump side)	-	101	Seeger ring	AISI 420
20	Bearing (motor side)	-	110	Motorprotector [4]	-
21	Adjusting ring	Steel C70	200	Screw (pump body)	A2 UNI7323 stainless steel
22	Tie-rod	Galvanised Fe 42			

[1]= For three-phase only

[2]= For single phase only

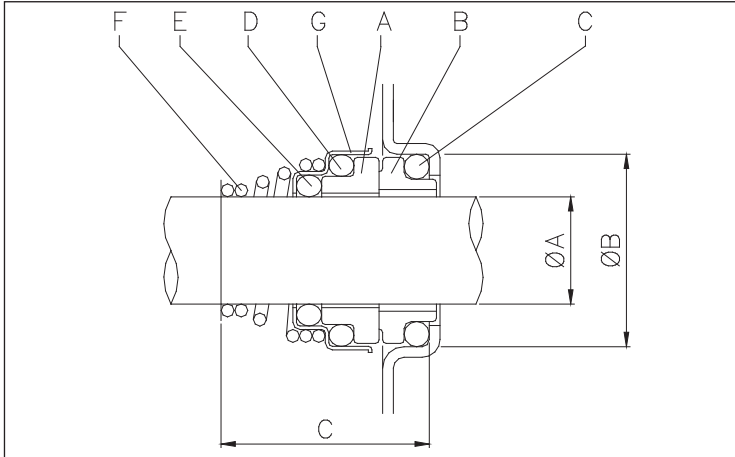
[3]= For the version with brass impeller only

[4]= For single phase CDA 1.50 - 2.00 versions only

DUAL IMPELLER CENTRIFUGAL ELECTRIC PUMPS

in cast iron

MECHANICAL SEAL



MATERIALS TABLE

Ref.	Name	Material
A	Rotating part	Ceramic
B	Fixed part	Carbon
C	O-Ring	NBR
D	O-Ring	NBR
E	O-Ring	NBR
F	Spring	AISI 316
G	Structure/frame	AISI 304

DIMENSIONS

Single phase	Three phase	ØA	ØB	C
CDA 0.75 M	CDA 0.75 T	15	26	29
CDA 1.00 M	CDA 1.00 T	15	26	29
CDA 1.50 M	CDA 1.50 T	18	30,9	32
CDA 2.00 M	CDA 2.00 T	18	30,9	32
-	CDA 3.00 T	18	30,9	32
-	CDA 4.00 T	20	30,9	33
-	CDA 5.50 T	20	30,9	33

ELECTRIC DATA TABLE

Model		P ₂		Single phase Capacitor		P ₁		Absorbed Current [A]		
230V single phase	230/400V three-phase	[HP]	[kW]	µF	V _c	Single phase [kW]	Three phase [kW]	Single phase 230V	Three phase 230V 400V	
CDA 0.75 M	CDA 0.75 T	0,75	0,55	16	450	1,1	1,05	5,0	3,4	2,0
CDA 1.00 M	CDA 1.00 T	1	0,75	20	450	1,38	1,18	6,1	4,0	2,3
CDA 1.50 M	CDA 1.50 T	1,5	1,1	35	450	1,85	1,8	8,6	5,6	3,3
CDA 2.00 M	CDA 2.00 T	2	1,5	40	450	2,35	2,25	10,8	7,2	4,1
-	CDA 3.00 T	3	2,2	-	-	-	2,8	-	8,8	5,1
-	CDA 4.00 T	4	3	-	-	-	4,2	-	13,0	7,5
-	CDA 5.50 T	5,5	4	-	-	-	5,05	-	16,5	9,5