

DML - DMLV

SUBMERSIBLE SEWAGE PUMP

SPECIFICATIONS

PUMP			
Liquid Handled	Type of liquid	Sewage, Wastewater	
	Temperature	0-40°C	
	Max solid diameter	DML: 76 mm / DMLV: equivalent to the pump diameter	
Maximum Submersible depth of the pump	8 m		
Synchronous Speed	~1450 min ⁻¹		
Construction	Mechanical Seal	Double mechanical seal	
	Impeller	Single channel, non-clog	
	Bearing	Pre-lubricated bearing	
Material	Casing	Cast iron	
	Impeller	Cast iron	
	Shaft	403 Stainless Steel	
	Mechanical Seal	Impeller side	SiC / SiC / NBR
		Motor side	Ceramic / Carbon / NBR
MOTOR			
Type	Air-filled dry submersible three phase		
N° of poles	4 poles		
Insulation Class	Class F		
Protection	Built-in overload protector (2,2 kW), miniature thermal protector (3,7-22 kW)		
ACCESSORIES			
Option	Quick discharge connector (QDC)		

The pump is equipped with a discharge elbow.



Model DML - DMLV

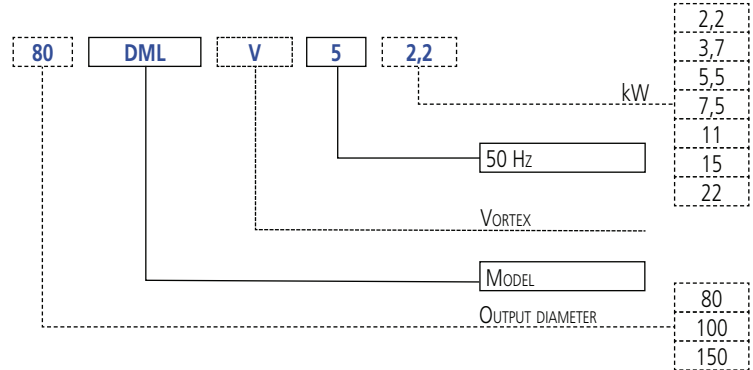
Features:

Single-channel impeller (DML) or vortex impeller (DMLV)

Applications:

- Evacuation of civil and industrial waste waters
- Treating liquid manure
- Draining sub-layer zones
- Generally moving foul waste liquids also containing solid substances and/or suspended filamentary substances
- Emptying seepage water
- Moving sewage (sanitary services)
- Emptying cesspits

PUMP IDENTIFICATION CODE



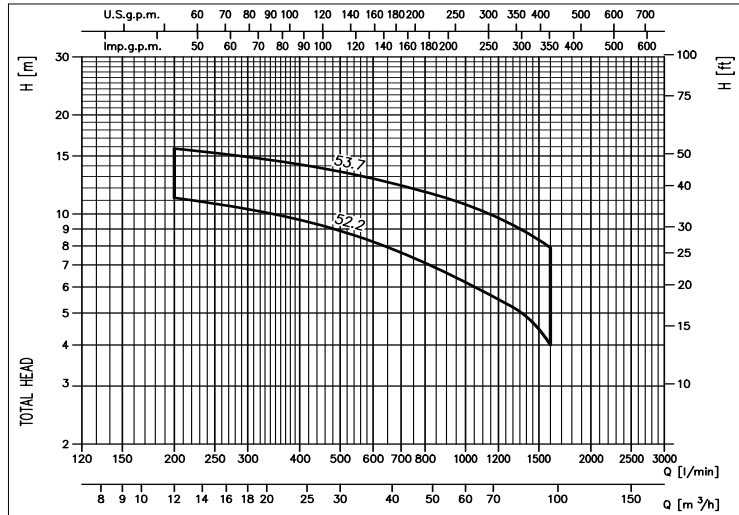


DML - DMLV

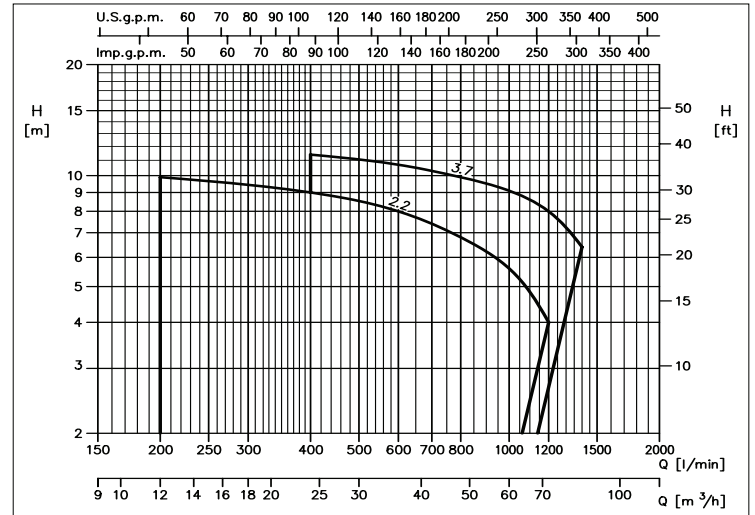
SUBMERSIBLE SEWAGE PUMP

PERFORMANCE CHART

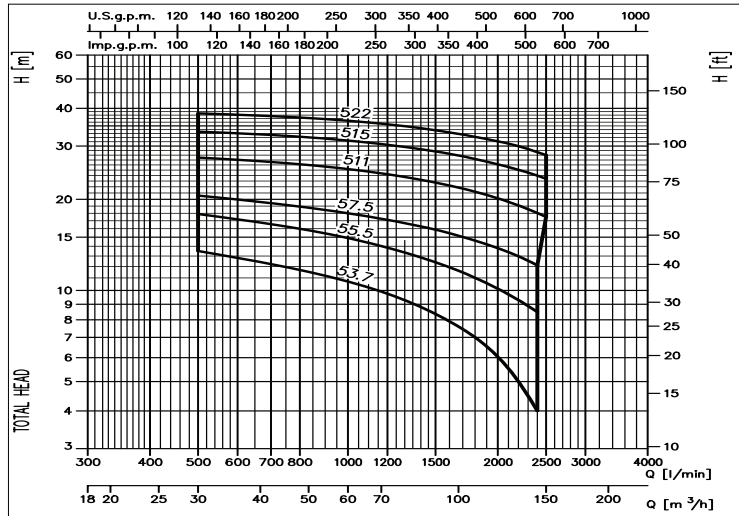
80DML



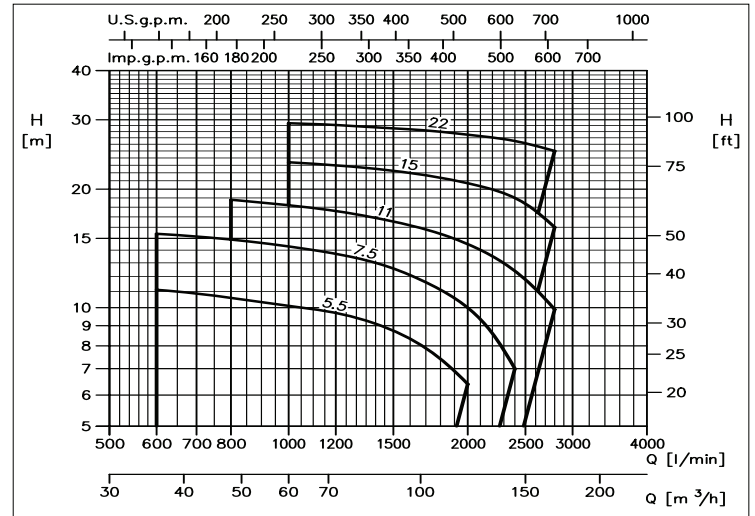
80DMLV



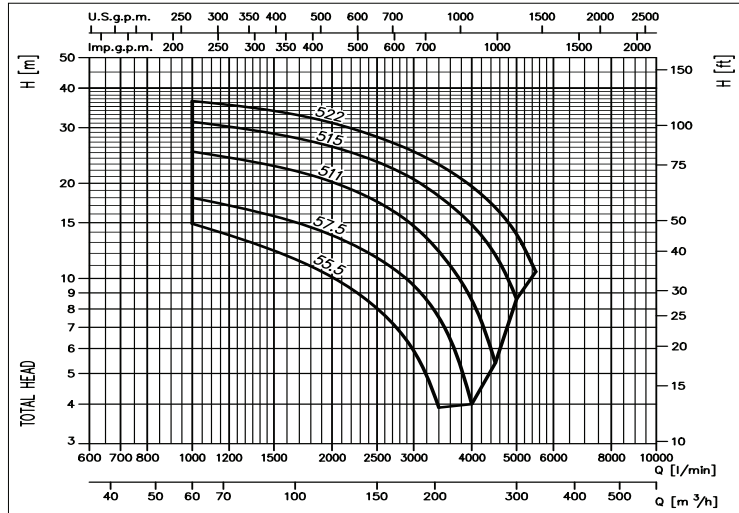
100DML



100DMLV



150DML



DML - DMLV

SUBMERSIBLE SEWAGE PUMP

PERFORMANCES TABLE 80DML

Model	P ₂		Q = Capacity								
			[l/min] 0	200	400	600	800	1000	1200	1400	1600
	[kW]	[HP]	[m ³ /h] 0	12	24	36	48	60	72	84	96
H = Total manometric head in meters											
80DML52.2	2,2	3	13,1	11,2	9,6	8,2	7,1	6,2	5,5	4,9	4,0
80DML53.7	3,7	5	17,9	15,8	14,2	12,8	11,7	10,7	9,7	8,8	7,9

PERFORMANCES TABLE 100DML

Model	P ₂		Q = Capacity								
			[l/min] 0	500	1000	1300	1600	1900	2200	2400	2500
	[kW]	[HP]	[m ³ /h] 0	30	60	78	96	114	132	144	150
H = Total manometric head in meters											
100DML53.7	3,7	5	17,9	13,5	10,7	9,3	7,9	6,5	5,0	4,0	-
100DML55.5	5,5	7,5	22,0	17,9	14,9	13,4	11,9	10,6	9,3	8,5	-
100DML57.5	7,5	10	25,3	20,6	18,0	16,7	15,5	14,2	13,0	12,1	-
100DML511	11	15	30,3	27,5	25,2	23,7	22,2	20,7	19,1	18,0	17,5
100DML515	15	20	35,0	33,5	31,3	29,8	28,3	26,7	25,1	24,0	23,4
100DML522	22	30	40,0	38,5	36,4	34,9	33,3	31,7	30,0	28,7	28,0

PERFORMANCES TABLE 150DML

Model	P ₂		Q = Capacity									
			[l/min] 0	1000	2000	2500	3000	3400	4000	4500	5000	5500
	[kW]	[HP]	[m ³ /h] 0	60	120	150	180	204	240	270	300	330
H = Total manometric head in meters												
150DML55.5	5,5	7,5	22,0	14,9	10,1	8,0	5,9	3,9	-	-	-	-
150DML57.5	7,5	10	25,3	18,0	13,7	11,6	9,5	7,5	4,0	-	-	-
150DML511	11	15	30,3	25,2	20,2	17,5	14,7	12,2	8,6	5,4	-	-
150DML515	15	20	35,0	31,3	26,1	23,4	20,6	18,2	14,8	11,9	8,6	-
150DML522	22	30	40,0	36,4	31,1	28,0	25,2	22,9	19,5	16,8	13,8	10,5

PERFORMANCES TABLE 80DMLV

Model	P ₂		Q = Capacity							
			[l/min] 0	200	400	600	800	1000	1200	1400
	[kW]	[HP]	[m ³ /h] 0	12	24	36	48	60	72	84
H = Total manometric head in meters										
80DMLV52.2	2,2	3	10,7	9,9	9,0	8,0	6,8	5,6	4,0	-
80DMLV53.7	3,7	5	12,8	12,0	11,4	10,7	9,9	9,1	8,0	6,4

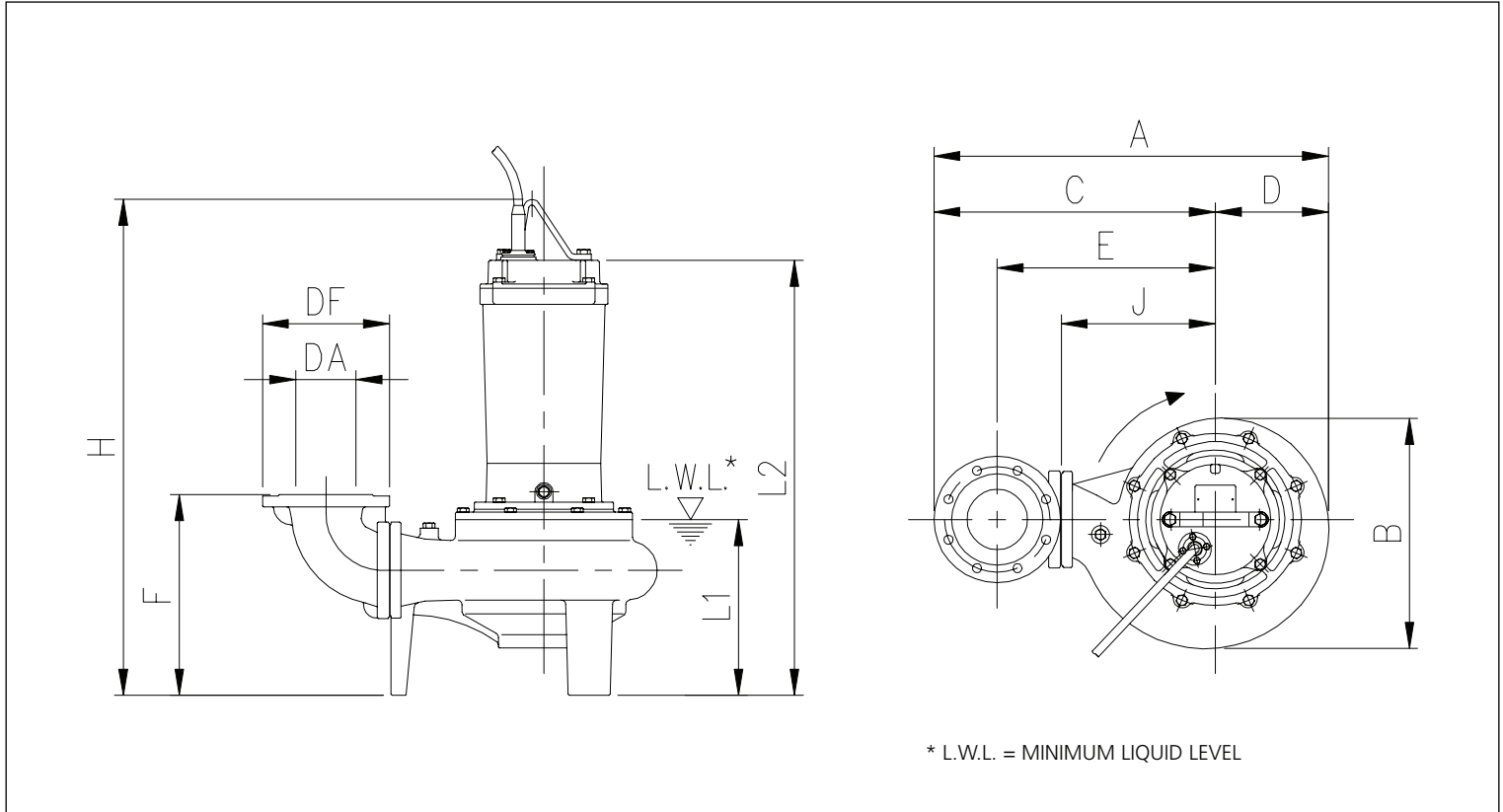
PERFORMANCES TABLE 100DMLV

Model	P ₂		Q = Capacity									
			[l/min] 0	600	800	1000	1200	1400	1700	2000	2400	2800
	[kW]	[HP]	[m ³ /h] 0	36	48	60	72	84	102	120	144	168
H = Total manometric head in meters												
100DMLV5,5	5,5	7,5	13,2	11,1	10,6	10,1	9,7	9,1	7,9	6,4	-	-
100DMLV57,5	7,5	10	16,8	15,4	14,9	14,3	13,7	13,0	11,6	10,0	7,0	-
100DMLV511	11	15	20,6	-	18,8	18,2	17,6	16,9	15,8	14,5	12,4	9,9
100DMLV515	15	20	24,9	-	-	23,4	23,0	22,5	21,7	20,7	19,0	16,0
100DMLV522	22	30	32,1	-	-	29,4	29,1	28,7	28,2	27,5	26,5	25,0

DML - DMLV

SUBMERSIBLE SEWAGE PUMP

DIMENSIONS DML - DMLV

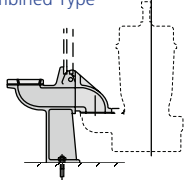
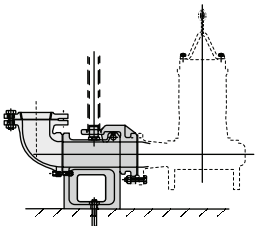
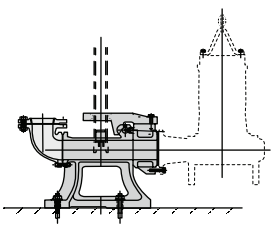
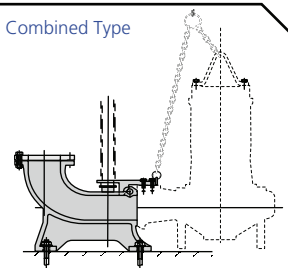


DIMENSIONS TABLE DML

Model	DA	[kW]	Dimensions [mm]										Weight [kg]	
			DF	A	B	C	D	E	F	H	J	L1		L2
80DML52.2	80	2,2	200	542	320	385	157	285	308	668	210	279	547	80
80DML53.7	80	3,7	200	542	320	385	157	285	308	727	210	279	627	87
100DML53.7	100	3,7	220	582	320	425	157	315	313	727	210	279	627	89
100DML55.5	100	5,5	220	658	381	470	188	360	339	824	255	310	724	121
100DML57.5	100	7,5	220	658	381	470	188	360	339	824	255	310	724	125
100DML511	100	11	220	751	455	530	221	420	355	938	315	329	778	160
100DML515	100	15	220	751	455	530	221	420	355	938	315	329	778	166
100DML522	100	22	220	795	497	550	245	440	358	1021	335	342	841	226
150DML55.5	150	5,5	285	715,5	381	527,5	188	385	369	824	255	310	724	127
150DML57.5	150	7,5	285	715,5	381	527,5	188	385	369	824	255	310	724	132
150DML511	150	11	285	808,5	455	587,5	221	445	385	938	315	329	778	166
150DML515	150	15	285	808,5	455	587,5	221	445	385	938	315	329	778	172
150DML522	150	22	285	852,5	497	607,5	245	465	388	1021	335	342	841	232

DIMENSIONS TABLE DMLV

Model	DA	[kW]	Dimensions [mm]										Weight [kg]	
			DF	A	B	C	D	E	F	H	J	L1		L2
80DMLV52.2	80	2,2	200	518	285	375	143	275	254	660	200	200	560	70
80DMLV53.7	80	3,7	200	518	285	375	143	721	254	721	200	200	620	80
100DMLV55.5	100	5,5	220	584	308	430	154	860	305	860	215	250	760	105
100DMLV57.5	100	7,5	220	641	352	465	176	860	305	860	250	250	760	120
100DMLV511	100	11	220	641	352	465	176	970	305	970	250	250	810	150
100DMLV515	100	15	220	728	426	515	213	970	305	970	300	250	810	180
100DMLV522	100	22	220	728	426	515	213	1045	305	1045	300	250	865	235

LS Combined Type 	QDC Model	Size				Applicable Model				
		Discharge Flange Ø	Discharge elbow Ø	QDC Body Ø	Volute Flange Ø	DS	DVS	DLW/C	DL	DML
	LS50	50	-	50	50	50DS 1,5 kW	50DVS 1,5 kW			
LM Separate Type 	LM50	50	50x50	50	50	50DS 2,2÷3,7 kW				
	LM65	65	65x65	65	65	65DS 1,5 kW	65DVS 1,5÷3,7 kW	65DLW/C 1,5 kW	65DL 1,5 kW	
		80	65x80	65	65		80DVS 1,5÷3,7 kW			
	LM80	80	80x80	80	80	80DS 2,2÷3,7 kW		80DLW/C 1,5÷3,7 kW	80DL 1,5÷3,7 kW	80&100DML 2,2÷3,7 kW
LL Separate Type 	LL80	80	80x80	80	80				80DLC 5,5÷7,5 kW	
		100	80x100	80	80				100DLC 5,5÷7,5 kW	
	LL100	100	100x100	100	100	100DS 5,5÷7,5 kW		100DLW/C 3,7÷7,5 kW	100DL&DLB 3,7÷18,5 kW	100DML 5,5÷22 kW
		150	100x150	100	100					150DML 5,5÷22 kW
	LL125	150	125x150	125	125				150DL 5,5÷22 kW	
	LL150	150	150x150	150	150				150DL 30÷45 kW	
200		150x200	150	150				200DL 5,5÷45 kW		
LL Combined Type 	LL250	250	-	200x250	200				250DL 7,5÷22 kW	
	LL300	250	(Reducer) 300x250	250x300	250				250DL 30÷45 kW	
		300	-	250x300	250				300DL 11÷45 kW	

Note: The discharge elbow & companion flange are not supplied with the QDC. These items are standard accessories supplied with the pump (except for DS and DVS 1.5 kW and DL 30÷45 kW), and they are used with the QDC.
With LS50 and LL300 the discharge elbow is not necessary, because it is included in the QDC body.