



GIRAFFE
4" GR



GIRAFFE

THE 4" GR BOREHOLE PUMPS SERIES

THE HEAVY DUTY PUMPS



THE NEW AND IMPROVED 4" GR PUMP SERIES

MADE WITH PRIDE

VALUE ADDED FEATURES

Engineered and manufactured for continuous heavy duty operation in sandy well.

The Floating Impeller and Flat Wear Ring Design ensure an excellent resistance to wear and tear against sand.

The Impeller and Diffuser are constructed in special glass filled engineered composite for maximum strength and corrosion resistance against sand.

The Discharge Head and Motor Adapter are made of precision casted stainless steel for superior strength, durability and rigidity.

The Stainless Steel Non Return Valve is integrated in the head to support the weight of the water column and to protect against water hammer.

SPECIFICATIONS

- Maximum sand content of 150 g/m³
- Capacity up to 25 m³/h
- Rated motor power output up to 7.5 kW
- Maximum overall pump diameter of 97.5 mm
- Delivery port of 1.25", 1.5" and 2"

THE NEW AND IMPROVED 4" GR PUMP SERIES

THE HEAVY DUTY PUMPS

PUMPS FOR SANDY WELLS

Field proven for a long period of time, the Floating Impeller Stack and the Face Clearance Design ensured optimum resistance against sand. Definitely one of the best pumps available on the market for sand handling capabilities.

Maximum permissible quantity of sand 150 g/m³

THE HEAVY DUTY PUMPS

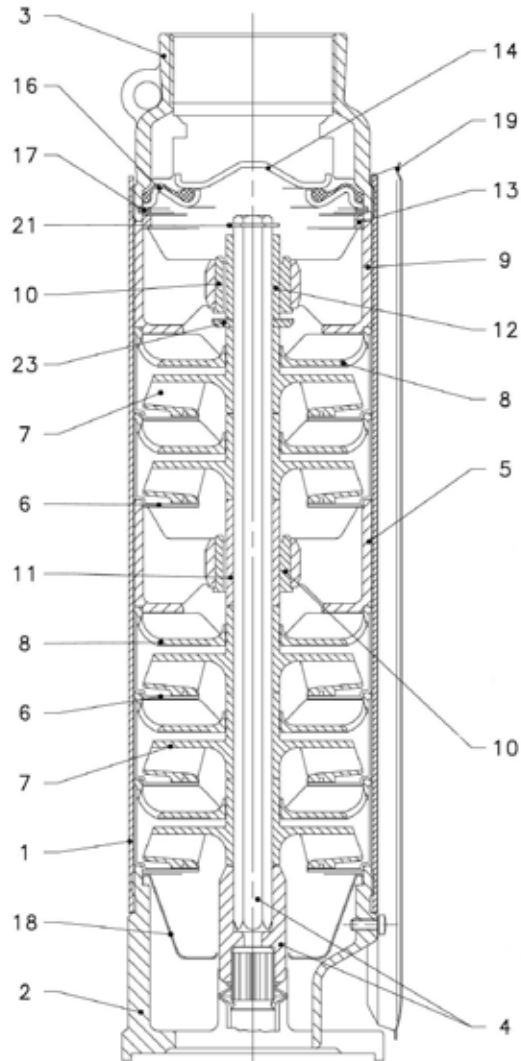
Reliable material is carefully chosen for each part for the utmost durability and reliability even in the very harsh operating conditions.

VALUE ADDED FEATURES

- Allows Sand and Abrasives to pass easily.
- Rotating parts are not in contact with one another.
- Diffuser is made of new and pure glass filled polycarbonate. High abrasive resistance for longer life in sandy wells.
- Impeller is made of new and pure glass filled noryl. High abrasive resistance for longer life in sandy wells.
- Stainless steel bowl for superior strength and abrasive resistance.
- Thrust washer to prevent rubbing of components during start up.

THE NEW AND IMPROVED 4" GR PUMP SERIES

CROSS SECTIONAL DRAWING AND PARTS LIST FOR GR 05, 10, 13, 18, 25, 35, 40

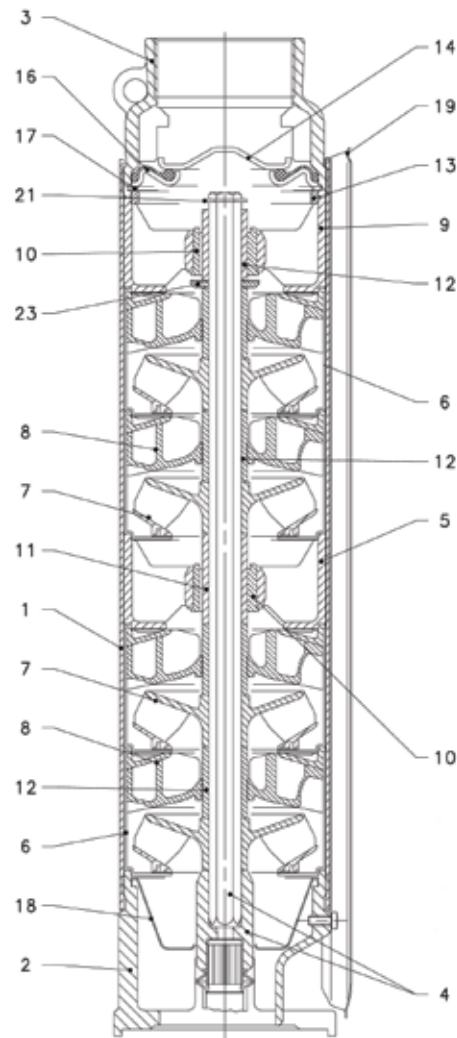


PUMP SECTION AND LIST OF MAIN COMPONENTS

Ref. N.	Description	Material
1	Sleeve	Stainless Steel
2	Lower Support/ Motor Adapter	Casted Stainless Steel
3	Discharge Head	Casted Stainless Steel
4	Shaft with Coupling	Stainless Steel
5	Intermediate Support	Glass Filled Engineered Composites
6	Bowl	Stainless Steel
7	Impeller	Glass Filled Noryl
8	Diffuser	Glass Filled Polycarbonate
9	Top Diffuser	Glass Filled Polycarbonate
10	Intermediate Bearing	N.B.R.
11	Shaft Bushing	Stainless Steel
12	Top Bushing	Stainless Steel
13	Adapter Ring	Stainless Steel
14	Valve Cap	Stainless Steel
16	Valve Support with Gasket	Stainless Steel and N.B.R.
17	Valve Lock Ring	Stainless Steel
18	Filter	Stainless Steel
19	Cable Guard	Stainless Steel
21	Upper Split Ring	Stainless Steel
23	Thrust Washer	Stainless Steel

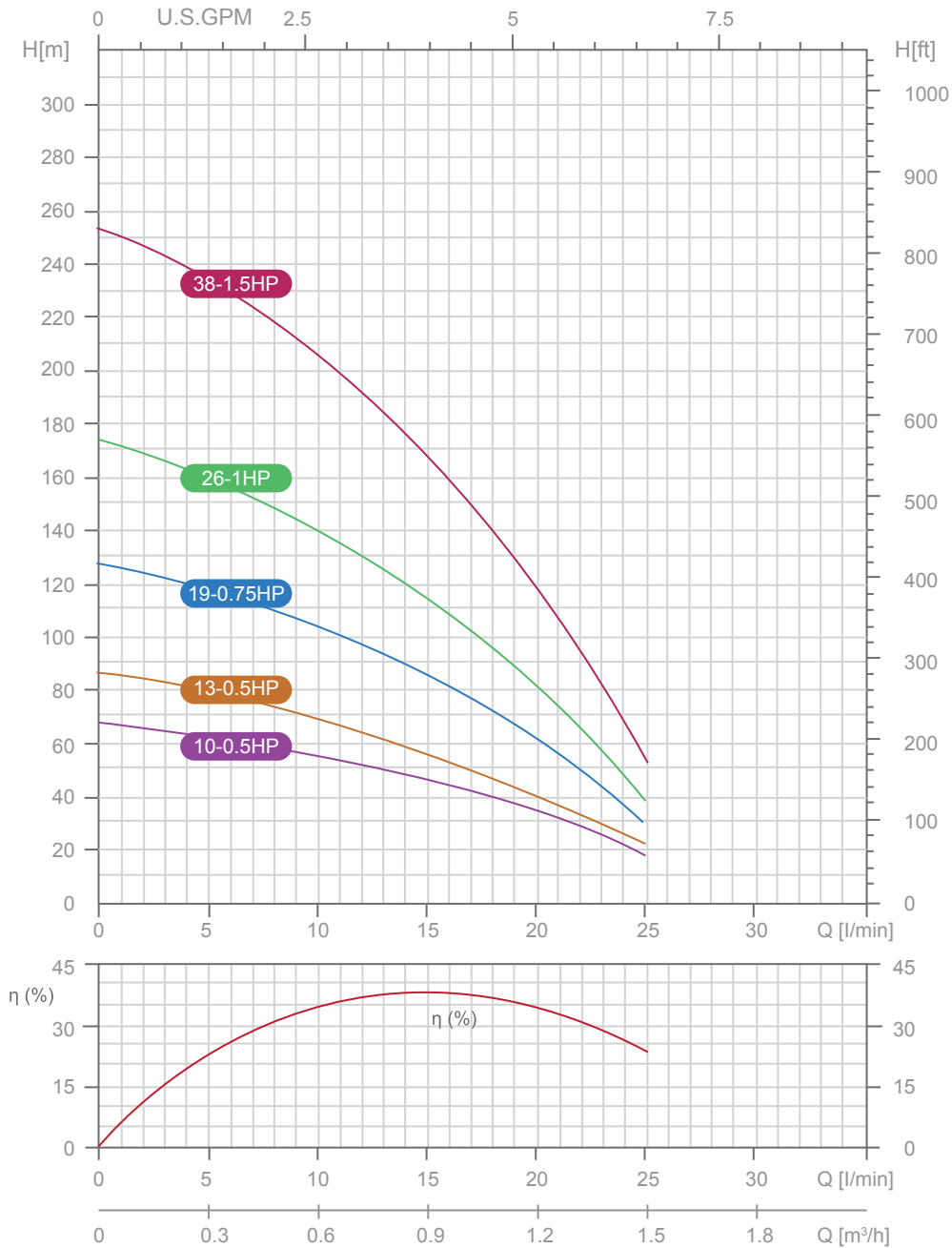
THE NEW AND IMPROVED 4" GR PUMP SERIES

CROSS SECTIONAL DRAWING AND PARTS LIST FOR GR 60, 80



PUMP SECTION AND LIST OF MAIN COMPONENTS

Ref. N.	Description	Material
1	Sleeve	Stainless Steel
2	Lower Support/ Motor Adapter	Casted Stainless Steel
3	Discharge Head	Casted Stainless Steel
4	Shaft with Coupling	Stainless Steel
5	Intermediate Support	Glass Filled Engineered Composites
6	Bowl	Stainless Steel
7	Impeller	Glass Filled Noryl
8	Diffuser	Glass Filled Polycarbonate
9	Top Diffuser	Glass Filled Polycarbonate
10	Top Bearing	N.B.R.
11	Top Bushing	Stainless Steel
12	Shaft Bushing	Noryl
13	Adapter Ring	Stainless Steel
14	Valve Cap/ Non Return Valve	Stainless Steel
16	Valve Support with Gasket	Stainless Steel and N.B.R.
17	Valve Lock Ring	Stainless Steel
18	Filter	Stainless Steel
19	Cable Guard	Stainless Steel
21	Upper Split Ring/ Shaft Clip Ring	Stainless Steel
23	Thrust Washer	Stainless Steel



GR 5

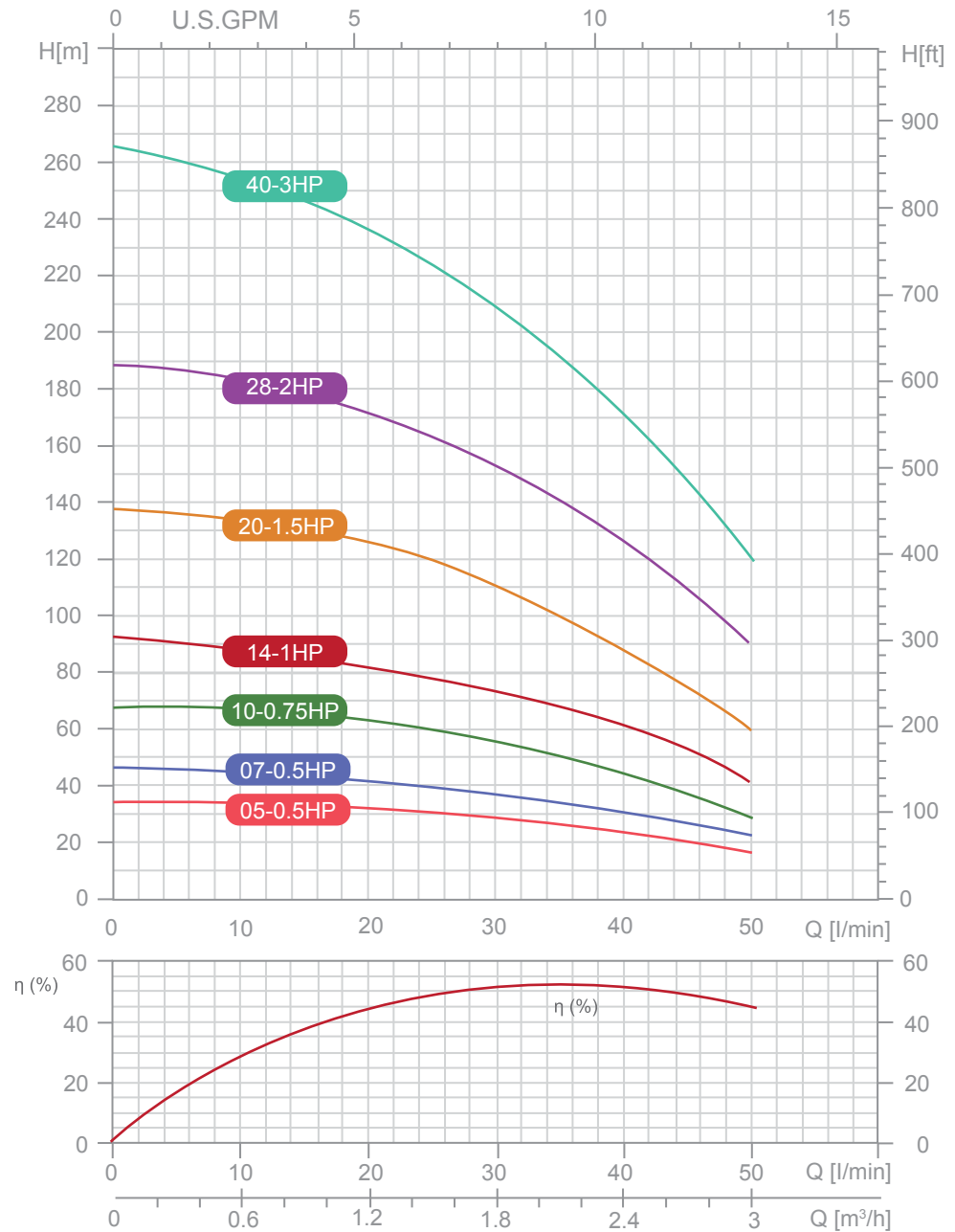
TYPE	N. OF STAGES	MOTOR		PUMP		
		KW	HP	L (mm)	DN (RPT or NPT)	kg
GR 0510	10	0.37	0.50	324	1.25"	3.3
GR 0513	13	0.37	0.50	377	1.25"	3.7
GR 0519	19	0.55	0.75	481	1.25"	4.7
GR 0526	26	0.75	1.00	642	1.25"	5.8
GR 0538	38	1.1	1.50	864	1.25"	8.2

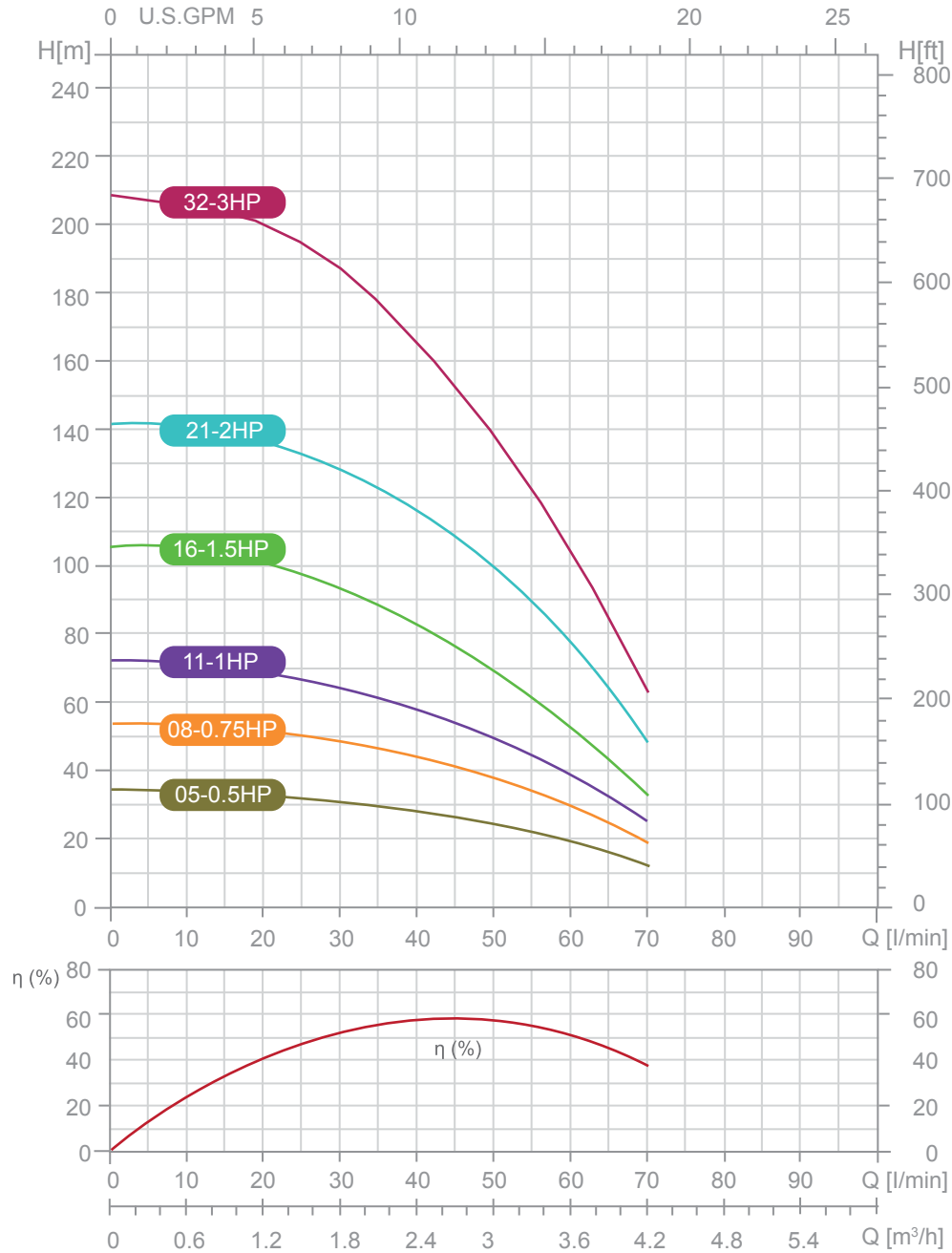
TYPE	Q	DELIVERY					
		M³/hr	0.3	0.6	0.9	1.2	1.5
		L/min	0	5	10	15	20
GR 0510	HEAD H m	67	63	55	46	33	18
GR 0513		86	78	70	56	42	23
GR 0519		126	118	105	86	60	30
GR 0526		173	160	141	117	81	39
GR 0538		253	234	208	169	117	52

GR 10

TYPE	N. OF STAGES	MOTOR		PUMP		
		KW	HP	L (mm)	DN (RPT or NPT)	kg
GR 1005	5	0.37	0.50	245	1.25"	2.6
GR 1007	7	0.37	0.50	280	1.25"	2.9
GR 1010	10	0.55	0.75	332	1.25"	3.5
GR 1014	14	0.75	1.00	402	1.25"	4.2
GR 1020	20	1.10	1.50	507	1.25"	5.3
GR 1028	28	1.50	2.00	680	1.25"	7.1
GR 1040	40	2.20	3.00	914	1.25"	10.1

TYPE	Q	DELIVERY							
		M ³ /hr	0	1.5	1.8	2.1	2.4	2.7	3.0
		L/min	0	25	30	35	40	45	50
GR 1005	HEAD H m	33	28	26	24	20	17	13	
GR 1007		47	39	35	32	28	24	19	
GR 1010		67	56	52	47	41	36	27	
GR 1014		93	78	73	66	57	50	37	
GR 1020		133	113	104	97	82	72	53	
GR 1028		187	158	146	130	115	97	74	
GR 1040		267	226	208	186	164	136	106	





GR 13

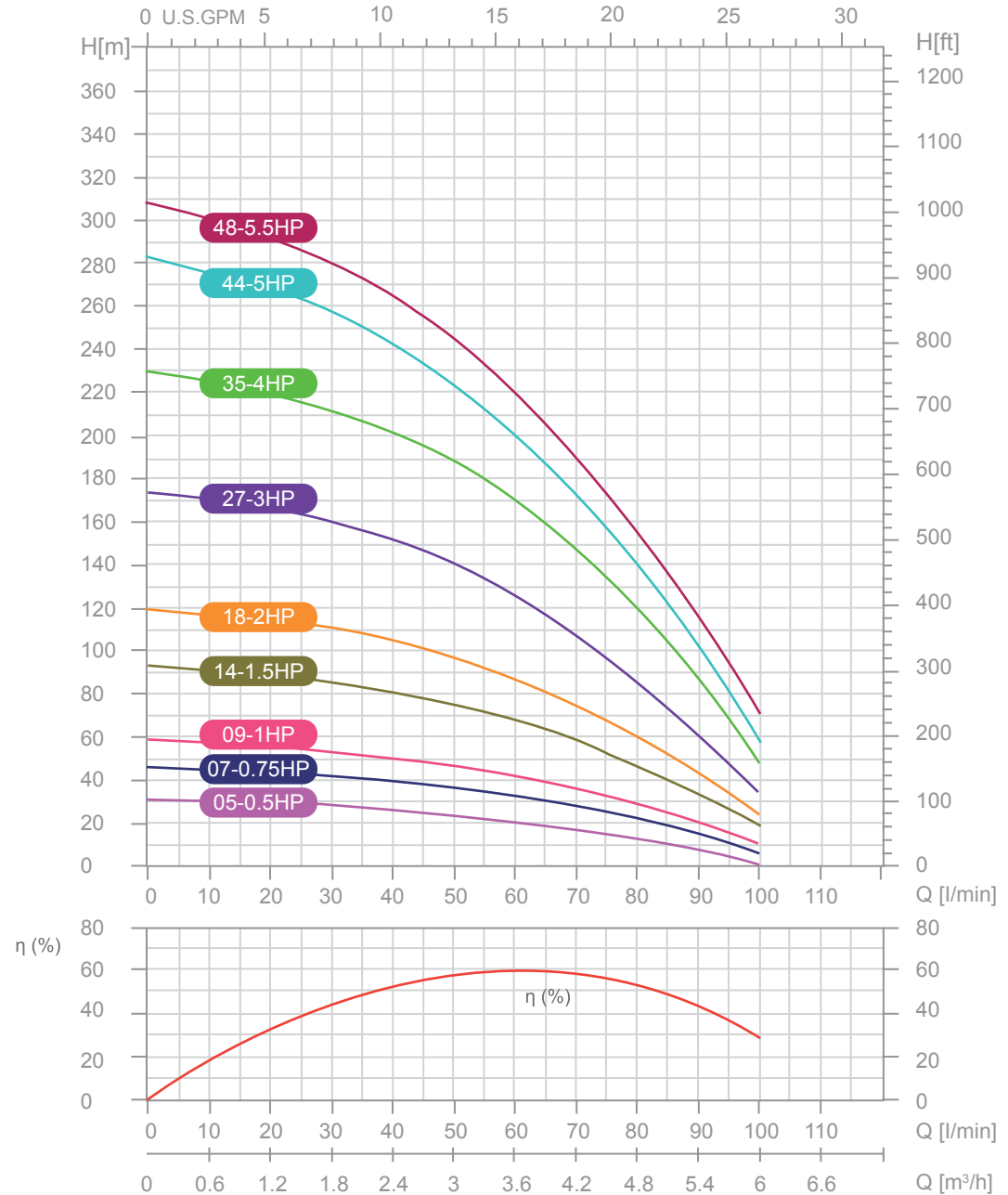
TYPE	N. OF STAGES	MOTOR		PUMP		
		KW	HP	L (mm)	DN (RPT or NPT)	kg
GR 1305	5	0.37	0.50	236	1.25"	2.5
GR 1308	8	0.55	0.75	289	1.25"	2.9
GR 1311	11	0.75	1.00	342	1.25"	3.4
GR 1316	16	1.10	1.50	430	1.25"	4.2
GR 1321	21	1.50	2.00	519	1.25"	5.0
GR 1332	32	2.20	3.00	749	1.25"	7.1

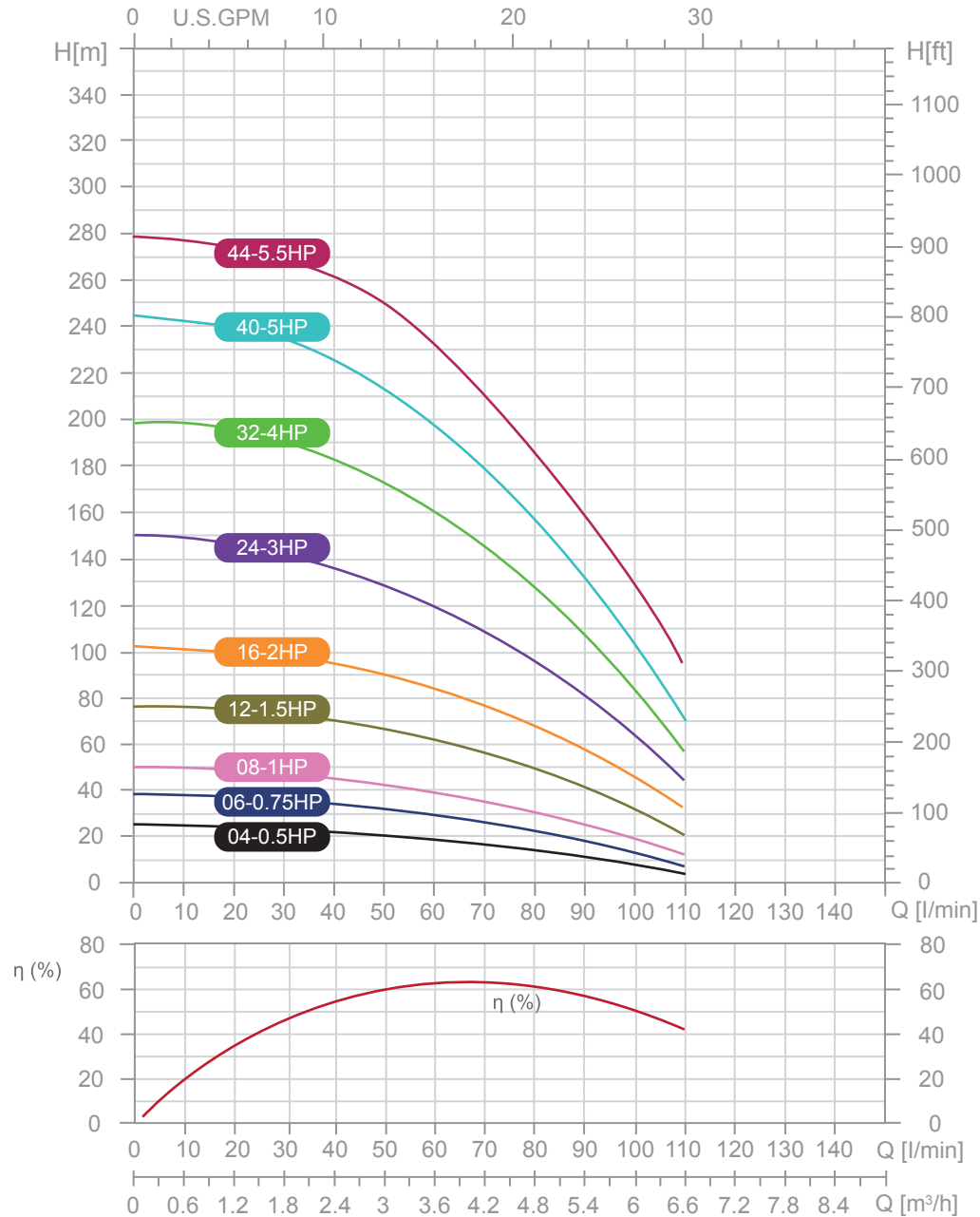
TYPE	Q	DELIVERY						
	M ³ /hr	0	2.1	2.4	2.7	3.0	3.6	4.2
	L/min	0	35	40	45	50	60	70
GR 1305	HEAD H m	34	29	27	25	23	18	12
GR 1308		54	46	43	41	38	30	19
GR 1311		72	61	58	54	49	38	28
GR 1316		106	89	83	77	70	54	34
GR 1321		142	122	115	108	100	79	49
GR 1332		208	177	165	152	138	104	64

GR 18

TYPE	N. OF STAGES	MOTOR		PUMP		
		KW	HP	L (mm)	DN (RPT or NPT)	kg
GR 1805	5	0.37	0.50	257	1.25"	2.7
GR 1807	7	0.55	0.75	301	1.25"	3.0
GR 1809	9	0.75	1.00	344	1.25"	3.3
GR 1814	14	1.10	1.50	452	1.25"	4.1
GR 1818	18	1.50	2.00	538	1.25"	4.7
GR 1827	27	2.20	3.00	767	1.25"	6.2
GR 1835	35	3.00	4.00	934	1.25"	7.9
GR 1844	44	3.70	5.00	1128	1.25"	9.3
GR 1848	48	4.00	5.50	1253	1.25"	9.9

TYPE	Q	DELIVERY							
		M ³ /hr	0	3.0	3.6	4.2	4.8	5.4	6.0
		L/min	0	50	60	70	80	90	100
GR 1805	HEAD H m	33	22	21	17	13	8	3	
GR 1807		46	36	33	28	21	13	7	
GR 1809		59	47	43	37	28	20	10	
GR 1814		93	76	68	58	47	33	19	
GR 1818		120	98	88	75	60	42	25	
GR 1827		175	141	127	109	87	61	35	
GR 1835		231	184	166	145	119	85	49	
GR 1844		285	223	201	173	139	99	55	
GR 1848		322	245	228	198	160	118	70	





GR 25

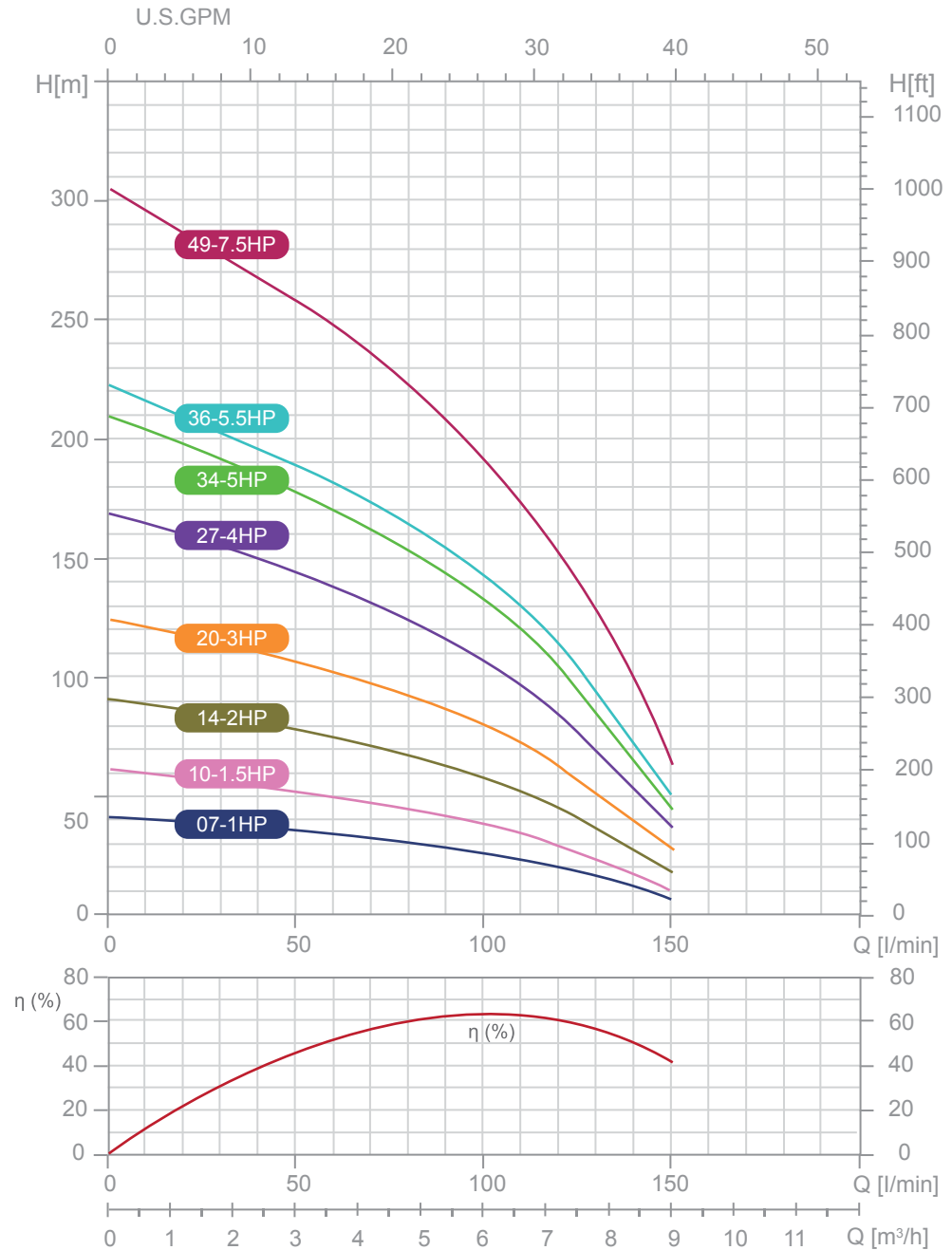
TYPE	N. OF STAGES	MOTOR		PUMP		
		KW	HP	L (mm)	DN (RPT or NPT)	kg
GR 2504	4	0.37	0.50	247	1.25"	2.4
GR 2506	6	0.55	0.75	296	1.25"	2.9
GR 2508	8	0.75	1.00	345	1.25"	3.3
GR 2512	12	1.10	1.50	433	1.25"	4.1
GR 2516	16	1.50	2.00	542	1.25"	5.0
GR 2524	24	2.20	3.00	777	1.25"	6.6
GR 2532	32	3.00	4.00	965	1.25"	8.7
GR 2540	40	3.70	5.00	1160	1.25"	10.4
GR 2544	44	4.00	5.50	1296	1.25"	11.2

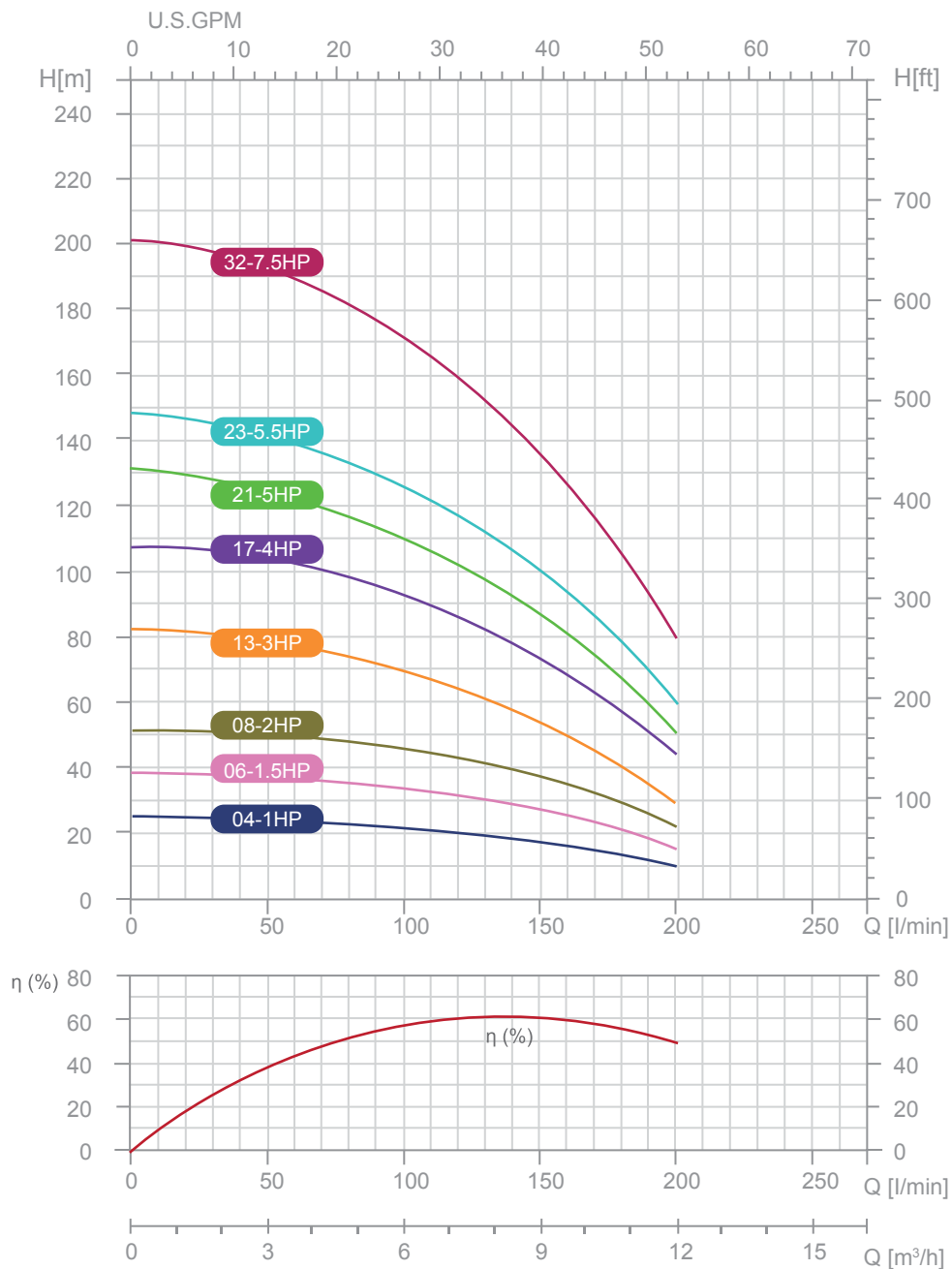
TYPE	Q	DELIVERY							
		M ³ /hr	0	3.6	4.2	4.8	5.4	6.0	6.6
		L/min	0	60	70	80	90	100	110
GR 2504	HEAD H m		26	19	17	14	11	7	4
GR 2506			38	30	26	22	18	12	8
GR 2508			51	39	35	30	24	18	14
GR 2512			77	63	57	49	41	31	21
GR 2516			102	86	77	68	57	46	34
GR 2524			151	122	111	97	80	62	44
GR 2532			203	162	146	127	105	80	59
GR 2540			253	202	182	159	131	102	70
GR 2544			278	230	210	187	159	127	94

GR 35

TYPE	N. OF STAGES	MOTOR		PUMP		
		KW	HP	L (mm)	DN (RPT or NPT)	kg
GR 3507	7	0.75	1.00	390	2"	3.7
GR 3510	10	1.10	1.50	483	2"	4.6
GR 3514	14	1.50	2.00	607	2"	5.7
GR 3520	20	2.20	3.00	831	2"	7.5
GR 3527	27	3.00	4.00	1048	2"	9.6
GR 3534	34	3.70	5.00	1257	2"	11.6
GR 3536	36	4.00	5.50	1318	2"	12.2
GR 3549	49	5.50	7.50	1802	2"	15.9

TYPE	Q	DELIVERY							
		M ³ /hr	0	5.4	6	6.6	7.2	7.8	9
		L/min	0	90	100	110	120	130	150
GR 3507	HEAD H m	42	28	25	22	19	15	8	
GR 3510		62	41	38	34	29	23	12	
GR 3514		90	63	59	53	46	37	19	
GR 3520		125	86	80	71	62	52	29	
GR 3527		169	115	107	96	84	70	39	
GR 3534		208	143	132	120	103	86	48	
GR 3536		221	154	143	127	112	93	49	
GR 3549		302	209	193	171	151	123	64	





GR 40

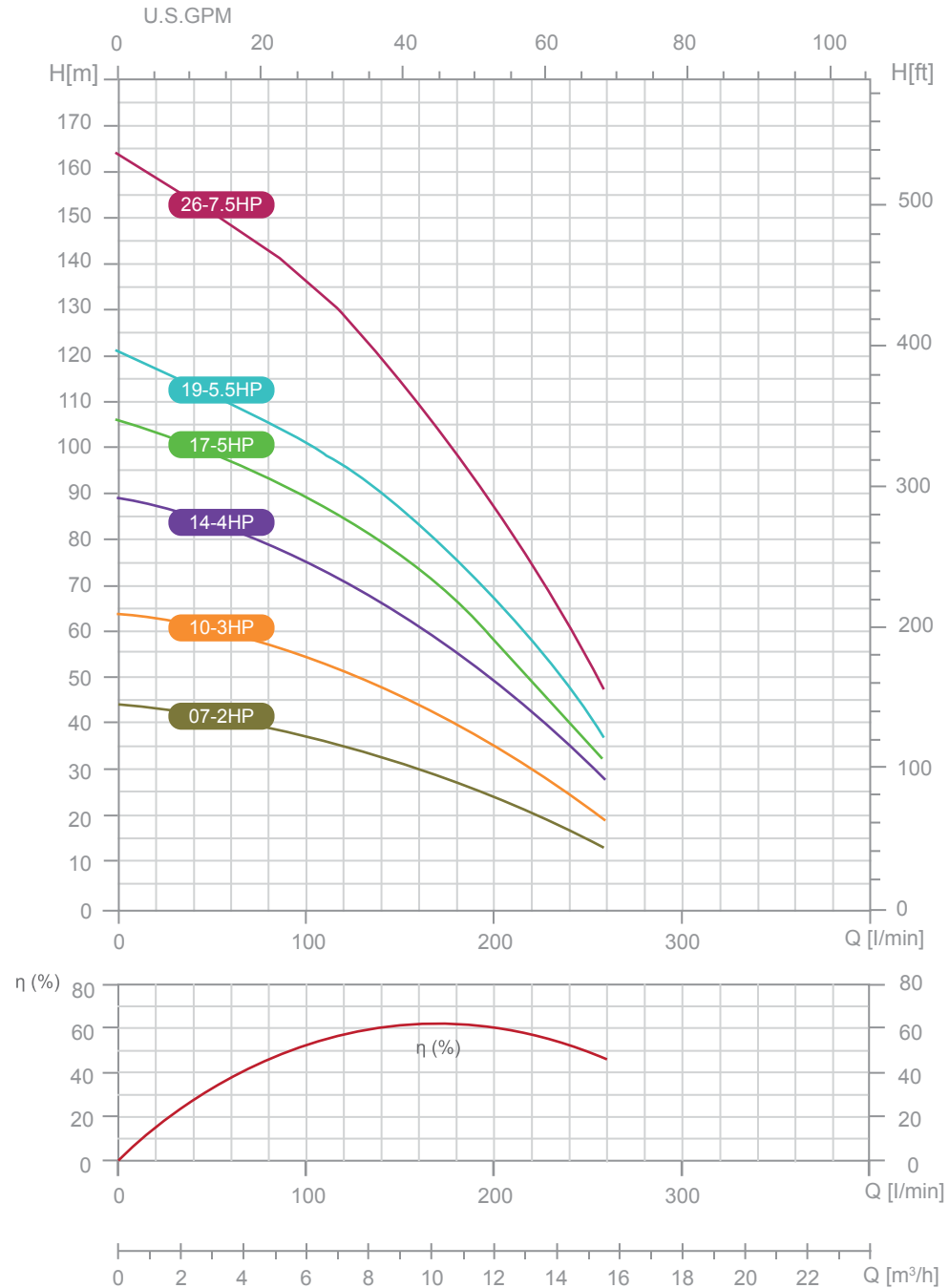
TYPE	N. OF STAGES	MOTOR		PUMP		
		KW	HP	L (mm)	DN (RPT or NPT)	kg
GR 4004	4	0.75	1.00	294	2"	2.8
GR 4006	6	1.10	1.50	356	2"	3.4
GR 4008	8	1.50	2.00	418	2"	4.0
GR 4013	13	2.20	3.00	573	2"	5.5
GR 4017	17	3.00	4.00	697	2"	6.6
GR 4021	21	3.70	5.00	859	2"	7.8
GR 4023	23	4.00	5.50	921	2"	8.4
GR 4032	32	5.50	7.50	1238	2"	11.0

TYPE	Q	DELIVERY						
	M³/hr	0	7.2	7.8	8.4	9.0	9.6	12
	L/min	0	120	130	140	150	160	200
GR 4004	HEAD H m	26	21	20	19	18	17	11
GR 4006		39	32	30	29	27	26	18
GR 4008		52	43	40	39	37	35	24
GR 4013		82	66	62	59	53	50	30
GR 4017		108	87	83	79	75	70	47
GR 4021		132	103	98	93	88	82	52
GR 4023		148	118	113	108	101	95	60
GR 4032		202	160	151	143	133	125	80

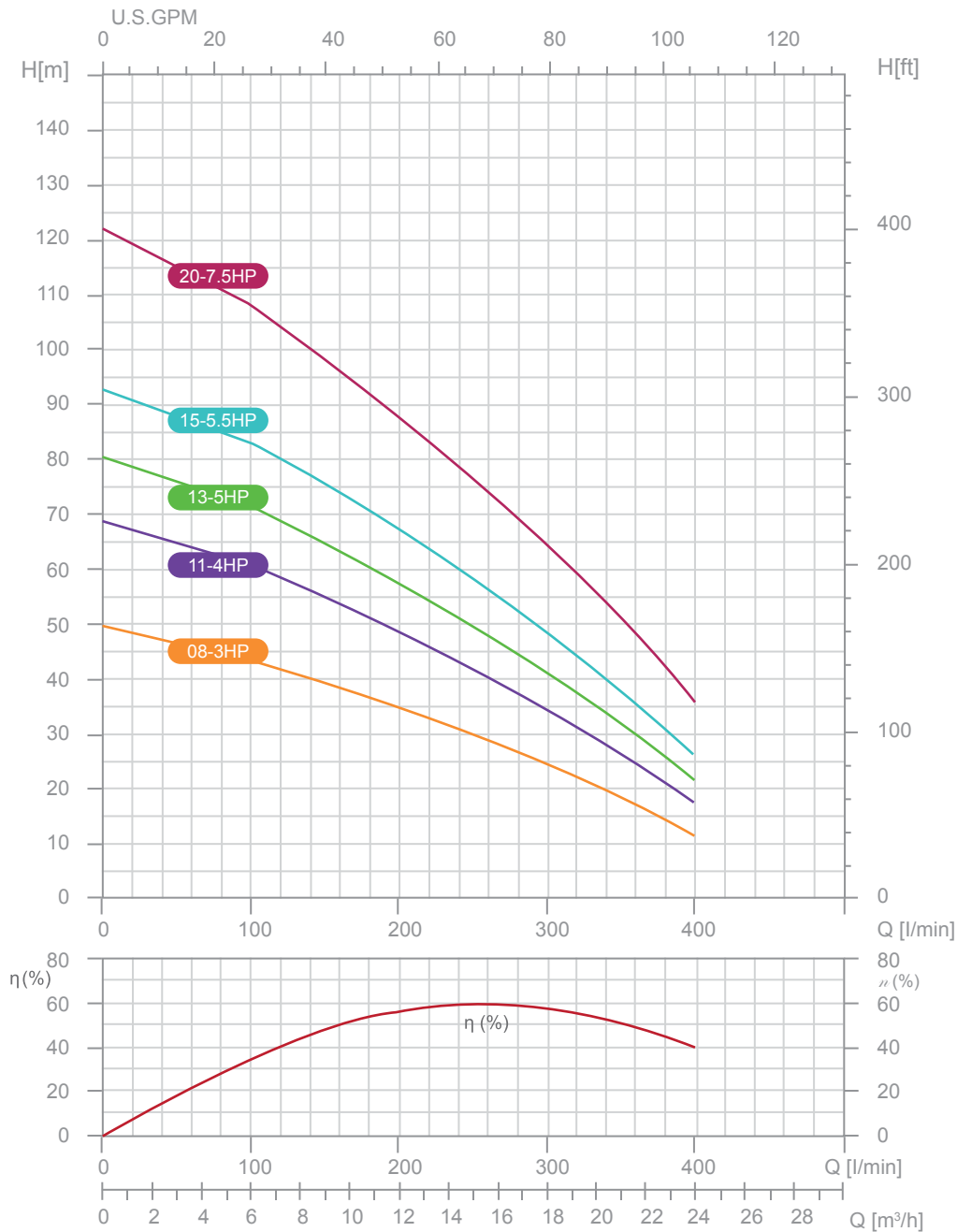
GR 60

TYPE	N. OF STAGES	MOTOR		PUMP		
		KW	HP	L (mm)	DN (RPT or NPT)	kg
GR 6007	7	1.50	2.00	534	2"	5.3
GR 6010	10	2.20	3.00	690	2"	6.7
GR 6014	14	3.00	4.00	989	2"	8.6
GR 6017	17	3.70	5.00	1092	2"	10.1
GR 6019	19	4.00	5.50	1195	2"	11.0
GR 6026	26	5.50	7.50	1559	2"	14.3

TYPE	Q	DELIVERY							
		M ³ /hr	0	9.6	10.8	12.0	13.0	14.4	15.6
		L/min	0	160	180	200	220	240	260
GR 6007	HEAD H m	45	31	28	25	22	18	14	
GR 6010		64	44	41	36	32	26	20	
GR 6014		89	62	56	49	43	35	29	
GR 6017		107	74	67	59	51	42	33	
GR 6019		120	89	76	68	58	48	38	
GR 6026		163	111	100	87	75	61	47	



GR 80



TYPE	N. OF STAGES	MOTOR		PUMP		
		KW	HP	L (mm)	DN (RPT or NPT)	kg
GR 8008	8	2.20	3.00	676	2"	6.3
GR 8011	11	3.00	4.00	880	2"	8.1
GR 8013	13	3.70	5.00	1013	2"	9.3
GR 8015	15	4.00	5.50	1149	2"	10.5
GR 8020	20	5.50	7.50	1489	2"	13.5

TYPE	Q	DELIVERY							
		M³/hr	0	15.6	16.8	18.0	19.2	20.4	24.0
		L/min	0	260	280	300	320	340	400
GR 8008	HEAD H m	51	29	27	24	20	18	13	
GR 8011		70	41	38	34	30	27	18	
GR 8013		81	48	45	41	36	32	23	
GR 8015		97	58	54	50	43	39	27	
GR 8020		125	74	70	65	56	44	36	



OUR VISION

To be the recognized leader in the deep well pumps markets, as measured by quality, service and growth.

“Our vision is a challenge and it takes a lot of determination, commitment and most importantly, passion to succeed. Our passion for excellence is a formidable force that will carry us relentlessly to meet and exceed our challenge, we believe in it, we fight for it and we will deliver.”

OUR MISSION

We are committed to providing our customers with the products that have differentiated and value added features.

“

We knew from the beginning that breaking into the market already dominated by established brands will be a challenge. Doing exactly what they are doing will not be an option. Innovation through product differentiation is the only solution. We improve and differentiate ourselves and it started with our product innovation, The Ultimate Sand Driver Pumps.

”



AS DISTRIBUTORS

Contact: Marius 073 739 7603/ Vic 073 977 4069
Email: info@asdistributors.co.za/ vic@asdistributors.co.za