

SUBMERSIBLE CUTTER PUMP

EC

SERIES 50HZ



50EC-5.05~10



Semi-Open Impeller
(Tungsten Edge)

Features

- Tungsten inserts incorporated on the impeller blades to provide shredding action
- Reliable shaft sealing provided by EKK Eagle Burgmann double mechanical seal
- Automatic operation (Optional)

Applications

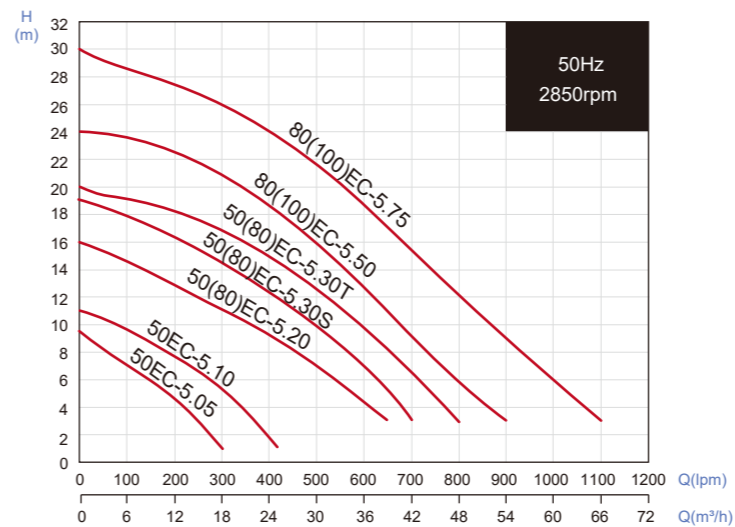
- Drainage of sewage from building and school basement etc.
- Septic tank and cesspit
- Wastewater treatment
- Ground water drainage

Data Chart

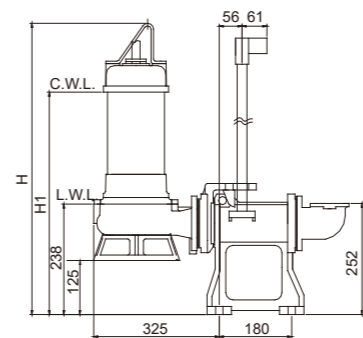
Type	Output		Discharge	F.L.A.		Rated		Maximum		Free Passage	Weight(W/O Cable)		Q.D.C.
	HP	kW		1ø 230V	3ø 400V	Head M	Cap. LPM	Head M	Cap. LPM		mm	1ø-kg	
50EC-5.05	0.5	0.37	2"	4A	1.2A	6	150	9.5	300	19	12.8	12.5	-
50EC-5.10	1	0.75	2"	5A	1.8A	8	190	11	420	19	18.5	18.2	-
50(80)EC-5.20	2	1.5	2"(3")	11.3A	3.5A	10	360	16	650	23	35.8	35.7	QM-80
50(80)EC-5.30S(T)	3	2.2	2"(3")	14.5A	5.2A	14	330(440)	19(20)	700(800)	23	39.9	36.2	QM-80
80(100)EC-5.50	5	3.7	3"(4")	-	8.2A	15	530	24	900	28	-	52.2	QM-100
80(100)EC-5.75	7.5	5.5	3"(4")	-	11.5A	21	525	30	1100	28	-	59.2	QM-100

» S identifies single phase ; T identifies three phase » 50EC-5.05 : Thread Type » 50EC-5.10 : Thread Type / Elbow Type is optional.(2" or 3" /Fit with Q.D.C. QM-80)
 » 50(80)EC-5.20~30 : Elbow Type » 80(100)EC-5.50~75 : Elbow Type

Performance Curve



All technical information is subject to change without notice.



EC-5.20~30

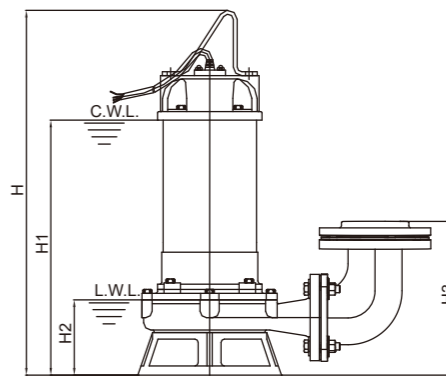
EC with QM

Type	Output		Discharge		Dimensions(mm)	
	HP	kW	Inch	mm	H	H1
EC with QM	1	0.75	2"(3")	50(80)	610	466
	2	1.5	2"(3")	50(80)	695	525
	3	2.2	2"(3")	50(80)	S:735;T:715	S:565;T:545
	5	3.7	3"(4")	80(100)	765	587
	7.5	5.5	3"(4")	80(100)	805	627

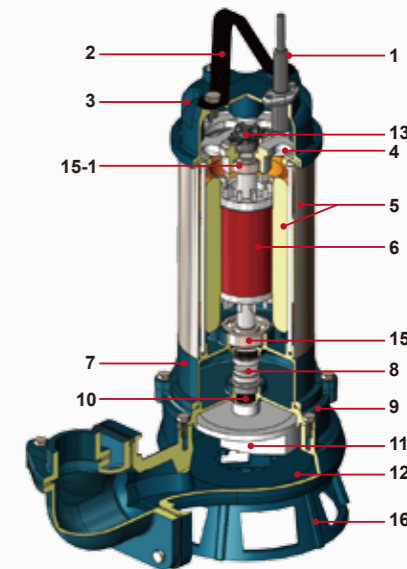
»Above 1HP dimensions is for Elbow type pump casing.



50(80)EC-5.20~30 with QM Q.D.C.



80(100)EC-5.50~75



Parts and Material List

No.	Part	Material
1	Cable	H07RN-F/SJTOW/STOW
2	Handle	Nylon 6/ASTM A36
3	Motor Cover	Nylon 66/EN-GJL-200
4	Bracket	EN-GJL-200
5	Motor Housing + Stator	AISI 304
6	Shaft with Rotor	AISI 410
7	Oil Chamber	EN-GJL-200
8	Mechanical Seal	Upper: CA/CE Lower: SIC/SIC
9	Seal Housing	Nylon / EN-GJL-200
10	Lip Seal	NBR
11	Impeller	EN-GJS-450+Tungsten edge
12	Pump Casing	EN-GJL-200
13	Protector	KLIXON
15-1	Upper Bearing	NTN/TPI
15-2	Lower Bearing	NTN/TPI
16	Bottom Base	EN-GJS-450

TPI is a family brand of NTN group.

Dimensions (mm)

Type	A	A1	A2	A3	B	B1	B2	H	H1	H2	H3
50EC-5.05	253	95	158	N/A	190	95	95	410	285	106	126
50EC-5.10	253	95	158	N/A	190	95	95	480	333	106	126
*50(80)EC-5.10	265	95	158	168	190	95	95	402	290	104	164
50(80)EC-5.20	408	108	250	168	217	108	109	560	390	115	168
50(80)EC-5.30S(T)	408	108	250	168	217	108	109	S:600;T:580	S:430;T:410	115	168
80(100)EC-5.50	457	110	255	167	227	110	117	610	445	137	3":230;4":225
80(100)EC-5.75	457	110	255	167	227	110	117	650	485	137	3":230;4":225

» *50(80)EC-5.10 is Elbow Type.

» Q.D.C.(Quick Discharge Connection) is available only for Elbow type.