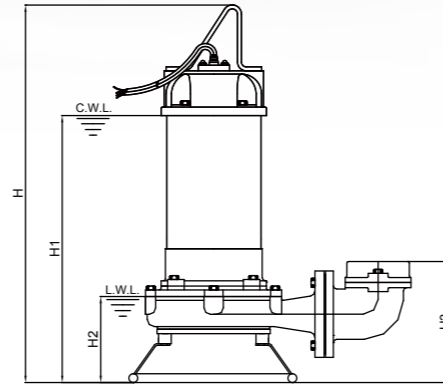
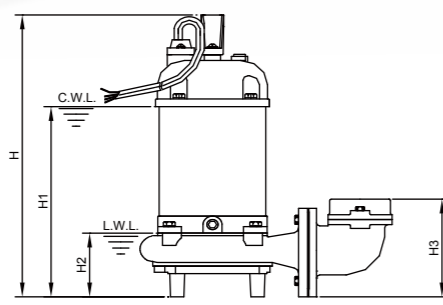
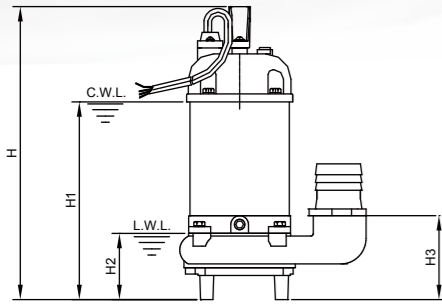
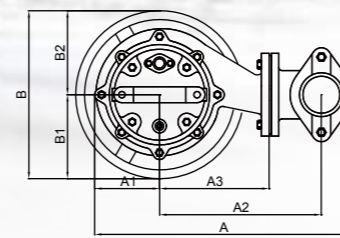
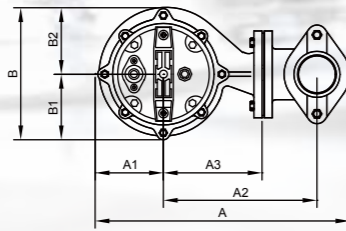
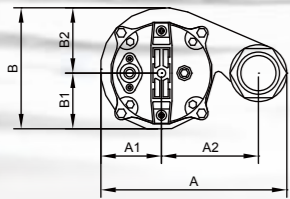


EH-Series Dimensions



50EH10-10
Thread Type

*50EH10-10
Elbow Type

50EH10-15
50EH15-15~28
50EH25-27
Elbow Type

Dimensions (mm)

| Type | A | A1 | A2 | A3 | B | B1 | B2 | H | H1 | H2 | H3 |
|------------|-----|-----|-----|-----|-----|-----|-----|-----|-----|-----|-----|
| 50EH10-10 | 229 | 70 | 123 | NA | 141 | 66 | 75 | 375 | 280 | 74 | 95 |
| *50EH10-10 | 325 | 80 | 192 | 110 | 151 | 74 | 77 | 379 | 284 | 78 | 158 |
| 50EH10-15 | 433 | 133 | 250 | 168 | 266 | 133 | 133 | 581 | 411 | 136 | 189 |
| 50EH15-15 | 433 | 133 | 250 | 168 | 266 | 133 | 133 | 581 | 411 | 136 | 189 |
| 50EH15-20 | 433 | 133 | 250 | 168 | 266 | 133 | 133 | 601 | 431 | 136 | 189 |
| 50EH15-25 | 433 | 133 | 250 | 168 | 266 | 133 | 133 | 601 | 431 | 136 | 189 |
| 50EH15-28 | 440 | 133 | 256 | 176 | 266 | 133 | 133 | 631 | 466 | 158 | 189 |
| 50EH25-27 | 440 | 133 | 256 | 176 | 266 | 133 | 133 | 671 | 506 | 158 | 189 |

» Note: Automatic models are available in single-phase versions 0.5~2HP ;
3 phase version can be add extra relay to connect with float switch to be automatic.



EVAK PUMP TECHNOLOGY CORP.

No. 551, Zhongshan Rd., Qingshui Dist., Taichung City 436, Taiwan.
TEL: +886-4-26233556 Fax: +886-4-26235559

Vol. PEH-18061K



EH SERIES 50HZ

Submersible High Head Effluent Pump



www.evak-pumps.com

EH SERIES 50HZ

Submersible High Head Effluent Pump

Feature

- / Compact Design / light weight
- / With High Head / High Efficiency Impeller
- / Double Mechanical Seals
- / Reliable Shaft sealing
- / Automatic Operation (Optional)

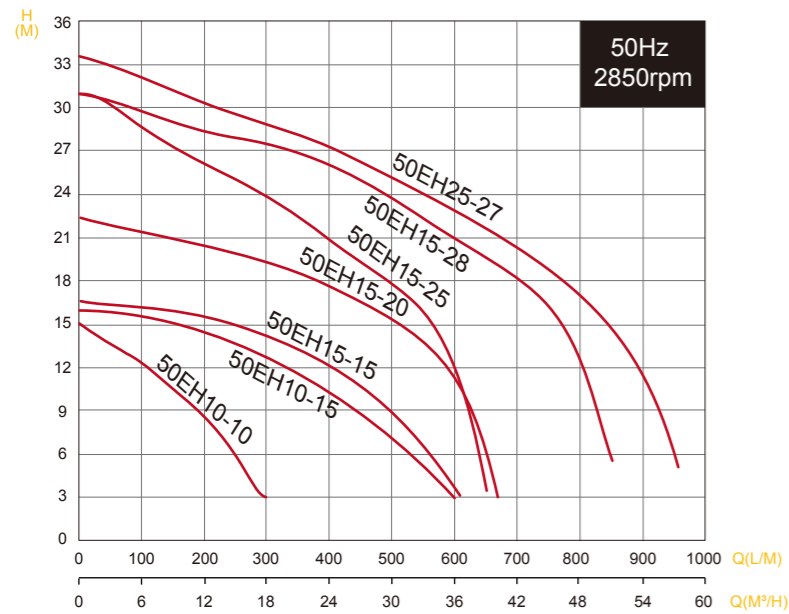
Application

- / Light duty / basement drainage
- / Rainwater effluent
- / Accumulated water drainage

Specifications

| | | |
|--------------------|-----------------|---------------------------------|
| Liquid Temperature | | 0~40°C (32~104°F) |
| Submersible depth | | 10M |
| Motor Part | Frequency | 50Hz |
| | Pole | 2 Pole |
| | Type | Dry Motor |
| | Insulation | 1~3HP:Class B ; 4~5.3HP:Class F |
| | Protection | IP 68 |
| Pump Part | Protector | Auto-cut |
| | Bearing | Ball Type |
| | Mechanical seal | Dual. Mechanical Seal |
| | Impeller | Semi-Open |

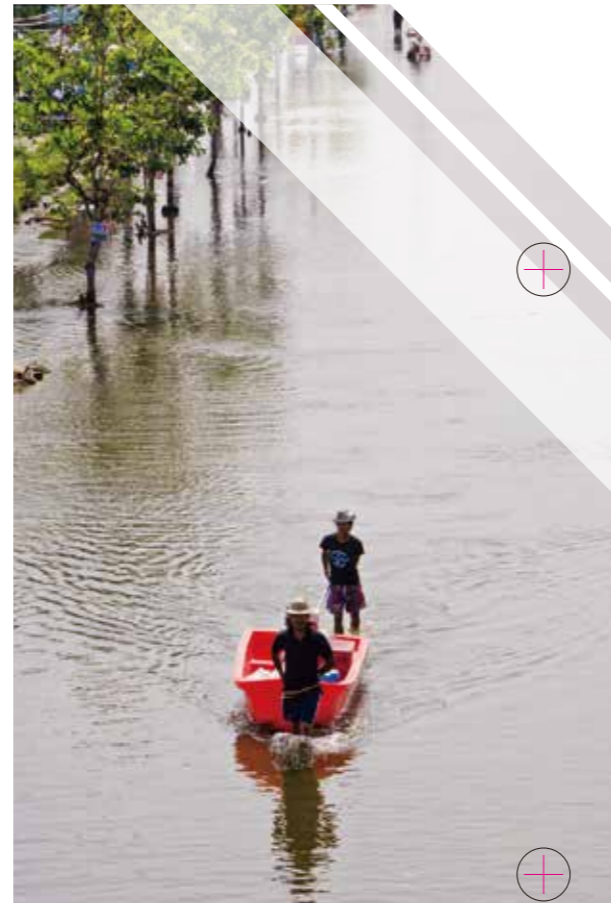
Performance Curve



50EH15-15

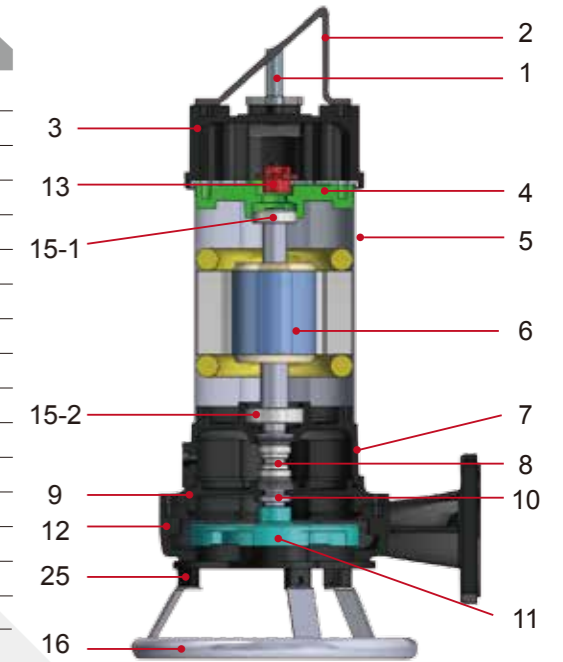


High Efficiency Impeller



Parts and Material List

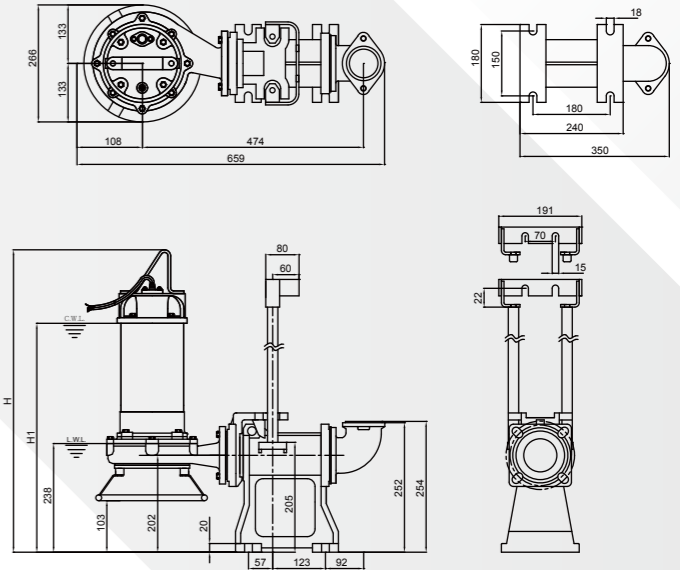
| No | Part | Material |
|------|------------------------|--|
| 1 | Cable | H07RN-F/SJTOW/STOW |
| 2 | Handle | Nylon 6 / SS41 |
| 3 | Motor Cover | Nylon 66 / FC 200 |
| 4 | Bracket | FC 200 |
| 5 | Motor Housing + Stator | SUS 304 |
| 6 | Shaft with Rotor | SUS 410 |
| 7 | Oil Chamber | FC 200 |
| 8 | Double Mech.Seal | Upper : CA / CE Lower : CA / CE(1~3HP);SIC / SIC(4~5.3HP) |
| 9 | Seal Housing | FC 200 |
| 10 | Oil Seal | NBR |
| 11 | Impeller | FC 200 |
| 12 | Pump Casing | FC 200 |
| 13 | Protector | KLIXON |
| 15-1 | Upper Bearing | TPI |
| 15-2 | Lower Bearing | TPI |
| 25 | Bottom Plate | FC 200 |
| 16 | Foot Base | SUS 304 |



EH-Series with QM

EH with QM Q.D.C.

| Output | | Discharge | | Dimensions(mm) | |
|--------|------|-----------|----|----------------|-----|
| HP | kW | Inch | mm | H | H1 |
| 1 | 0.75 | 2" | 50 | 625 | 482 |
| 1.5 | 1.1 | 2" | 50 | 695 | 525 |
| 2 | 1.5 | 2" | 50 | 695 | 525 |
| 3 | 2.2 | 2" | 50 | 715 | 545 |
| 4 | 3 | 2" | 50 | 775 | 597 |
| 5.3 | 4 | 2" | 50 | 815 | 637 |



Data Chart

| Type | Output | | Discharge | F.L.A. | | Rated | | Maximum | | Free Passage | Weight(W/O Cable) | | Q.D.C. |
|-----------|--------|------|-----------|---------|---------|--------|-----------|---------|-----------|--------------|-------------------|-------|--------|
| | HP | kW | | 1ø 230V | 3ø 400V | Head m | Cap. M³/H | Head m | Cap. M³/H | | mm | 1ø-kg | |
| 50EH10-10 | 1 | 0.75 | 2" | 4A | 1.8A | 10 | 10 | 15 | 18 | 8 | 18.4 | 18.1 | QM-80 |
| 50EH10-15 | 1.5 | 1.1 | 2" | 10.2A | 2.8A | 15 | 10 | 16 | 36 | 15 | 35.4 | 35.3 | |
| 50EH15-15 | 2 | 1.5 | 2" | 10.2A | 3A | 15 | 15 | 16.5 | 36.6 | 15 | 35.4 | 35.3 | |
| 50EH15-20 | 3 | 2.2 | 2" | - | 4A | 20 | 15 | 22.5 | 40.2 | 15 | - | 35.8 | |
| 50EH15-25 | 3 | 2.2 | 2" | - | 4.9A | 25 | 15 | 31 | 39 | 12 | - | 35.8 | |
| 50EH15-28 | 4 | 3 | 2" | - | 8.1A | 28 | 15 | 31 | 51 | 15 | - | 48.4 | |
| 50EH25-27 | 5.3 | 4 | 2" | - | 10A | 27 | 25 | 33.5 | 57 | 15 | - | 54.2 | |

» Note : Q.D.C.(Quick Discharge Connection) is available only for Elbow type.