

# **FORAS**<sup>®</sup>

**water pumps**



## *PLUS V / L / LG*



**50 Hz**

FORAS WATER PUMPS

Viale dell'Industria, 1 - 37040 Veronella (Verona) ITALY - Tel. +39 0442 489550 Fax +39 0442 489560  
www.foras-pumps.com - e-mail: com@foras-pumps.it

# PLUS 3 V / L

## MULTISTAGE electric pumps



3V

3L

### USES

Multistage vertical pumps. Pumping of clean non-loaded fluids in the domestic, agricultural and industrial sectors; pressurizing systems; irrigation; drinking and glycol water; water treatment; food industry; heating and air conditioning; washing system.

### ADVANTAGES

Closed coupled and compact; silent; excellent efficiency that allows a reduction of running cost and powers; economical; over-dimensioned bearings for longer life of machines; intermediate shaft guiding stage for concentricity of rotation.

### CONSTRUCTION FEATURES

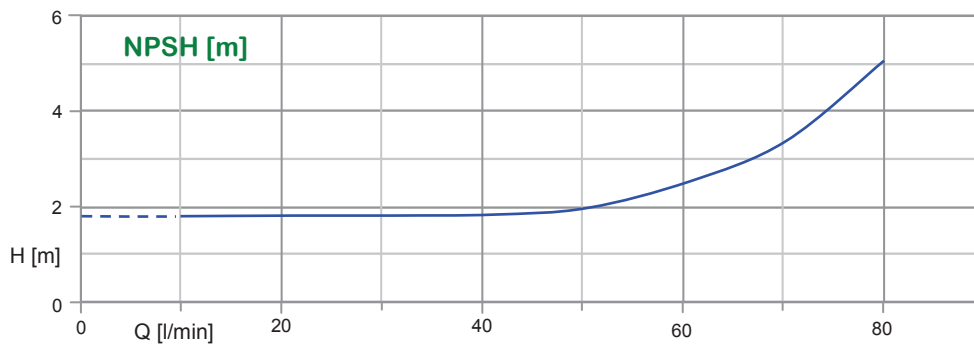
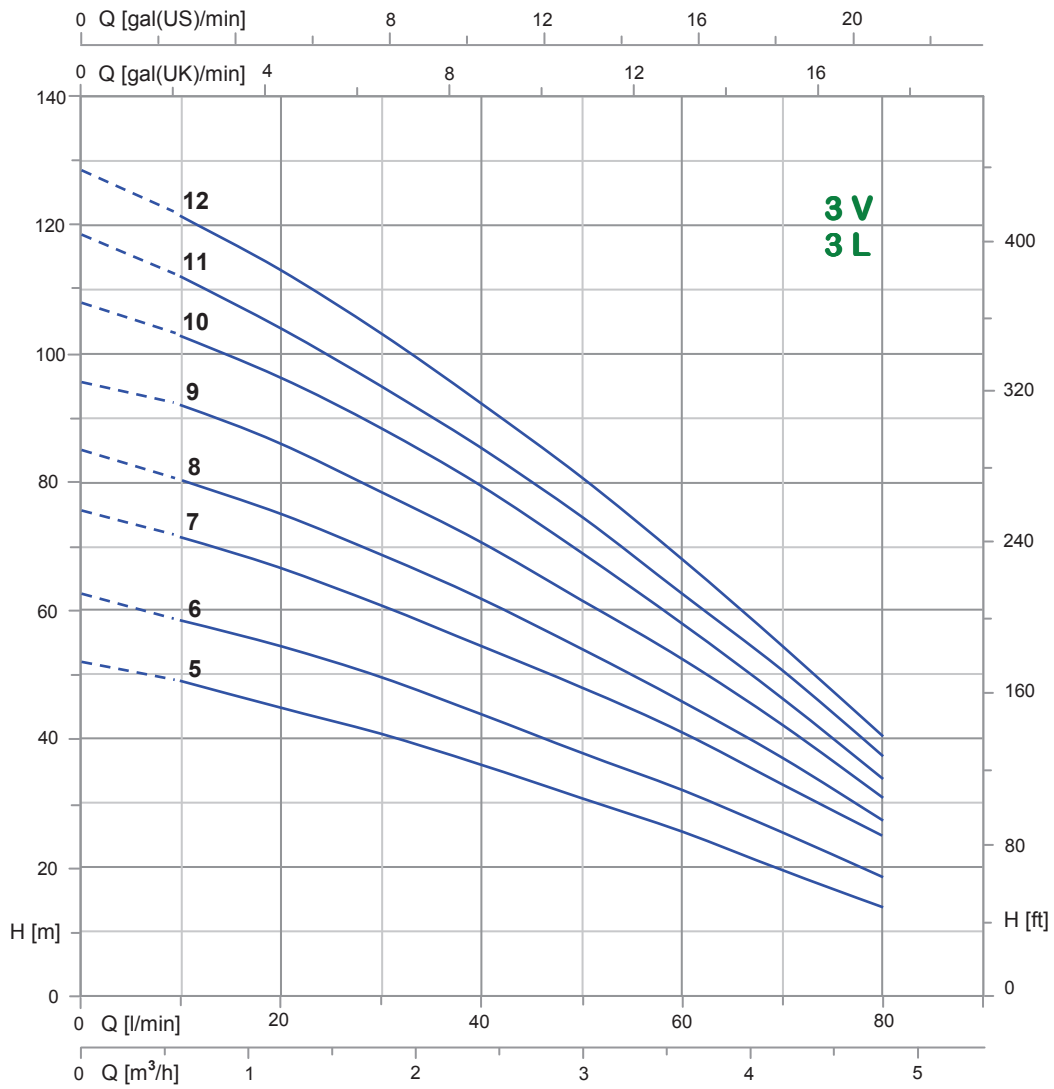
Capacity: up to 4.8 m<sup>3</sup>/h; total Head: up to 129 m; maximum working pressure: 8 bar ≤ 6 impellers, 14 bar > 6 impellers; maximum liquid temperature: from + 5 up + 35 °C; ambient temperature: up to 40 °C.

### MOTOR

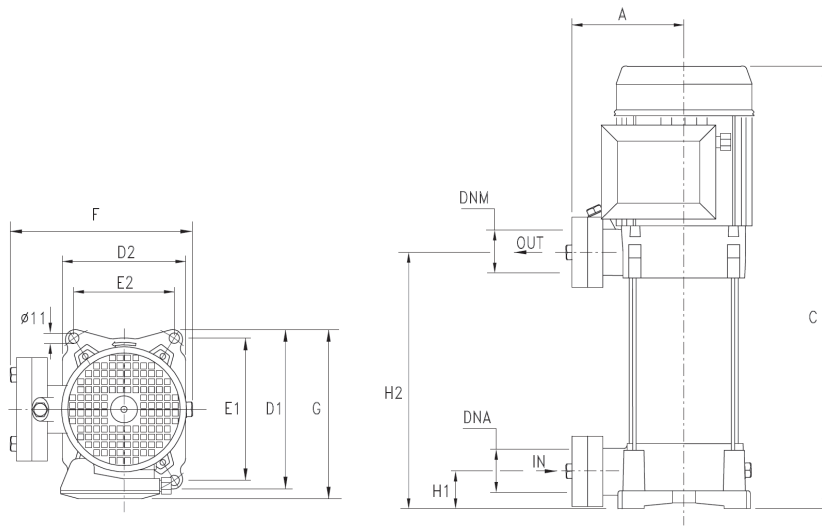
2 Pole induction Motor; single Phase 230V - 50 Hz with thermal protector; three Phase 230/400V - 50 Hz; insulation class F; protection degree IP 44.

### MATERIALS

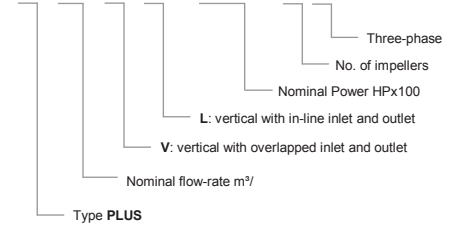
Flanged suction pump body: cast iron; flanged delivery pump body: cast iron; shell, mechanical seal disc holder: AISI 304 chromo-nickel steel; impellers, diffusers: Noryl reinforced with fibre glass (GFN2V); pump shaft: AISI 304 chromo-nickel steel; motor bracket: aluminium alloy; mechanical seal: ceramic-graphite up to 6 stages - graphite-silicon carbide from 7 stages; intermediate shaft guiding stage bush: ceramic-tungsten carbide; pump body gasket: EPDM.



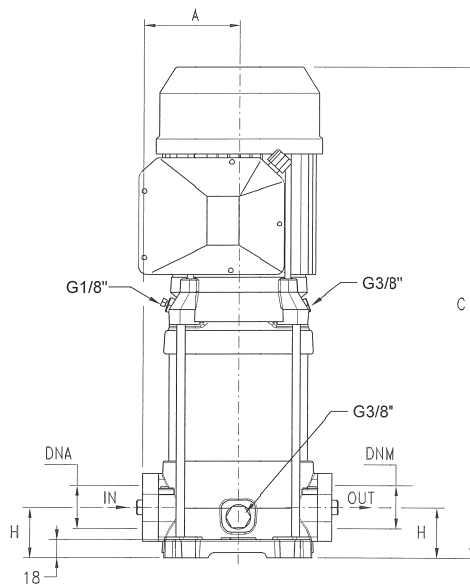
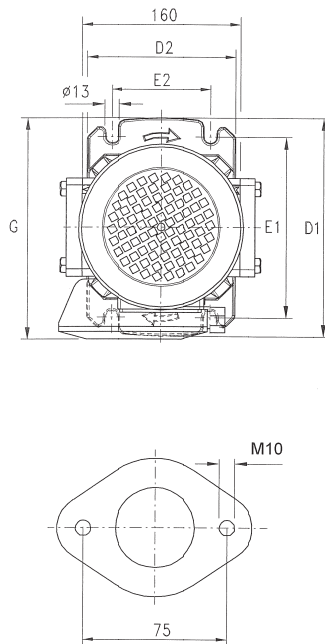
P 3... V / L		P <sub>2</sub>		P <sub>1</sub> (kW)		AMPERE		Q (m³/h – l/min)								
1~	3~					1~	3~	0	0,6	1,2	1,8	2,4	3,6	4,8		
		(HP)	(kW)	1~	3~	1x230V 50Hz	3x400 50Hz	H (m)								
230 V – 50 Hz	230 / 400 V – 50 Hz															
<b>P 3...-100/5</b>	<b>P 3...-100/5T</b>	1	0,75	1,1	1	4,8	1,9	52,2	48,9	45,1	40,8	36,0	25,4	14,0		
<b>P 3...-120/6</b>	<b>P 3... -120/6T</b>	1,2	0,9	1,2	1,2	5,6	2,6	62,8	58,7	54,5	49,6	43,9	32,1	18,3		
<b>P 3...-150/7</b>	<b>P 3... -150/7T</b>	1,5	1,1	1,5	1,5	7,1	2,9	75,5	71,3	66,6	61,2	54,8	41,1	24,9		
<b>P 3...-180/8</b>	<b>P 3... -180/8T</b>	1,8	1,3	1,7	1,6	7,5	3	85,2	80,6	75,1	69,3	61,9	45,2	26,9		
<b>P 3... -200/9</b>	<b>P 3... -200/9T</b>	2	1,5	1,9	1,8	8,4	3,3	95,8	92,2	86,3	78,9	70,7	52,7	30,8		
<b>P 3... -250/10</b>	<b>P 3... -250/10T</b>	2,5	1,8	2,1	2	10	4,1	108,4	102,9	96,5	88,2	79,7	58,3	34,1		
<b>P 3... -280/11</b>	<b>P 3... -280/11T</b>	2,8	2,1	2,3	2,2	10,5	4,3	119,0	112,3	104,4	95,3	85,6	62,7	37,3		
<b>P 3... -300/12</b>	<b>P 3... -300/12T</b>	3	2,2	2,5	2,4	11,2	4,7	128,9	121,5	113	103,5	92,2	67,9	40,5		



### P 3 V/L - 100 / 5 T



P 3V	DIMENSIONS (mm)										DNA	DNM	
	A	C	D1	D2	E1	E2	F	G	H1	H2			
P 3V-100/5	135	413	204	162	178,5	125	229	213	40	178	1"1/4G	1"1/4G	
P 3V-120/6	135	437	204	162	178,5	125	229	213	40	202			
P 3V-150/7	135	491	204	162	178,5	125	229	220	40	226			
P 3V-180/8	135	515	204	162	178,5	125	229	220	40	250			
P 3V-200/9	135	539	204	162	178,5	125	229	220	40	274			
P 3V-250/10	135	563	204	162	178,5	125	229	220	40	298			
P 3V-280/11	135	M 632	204	162	178,5	125	229	229	M 228	40			322
		T 587							T 220				
P 3V-300/12	135	M 656	204	162	178,5	125	229	229	M 228	40			346
		T 611							T 220				



P 3L	DIMENSIONS (mm)								DNA	DNM	
	A	C	D1	D2	E1	E2	G	H			
P 3L-100/5	98	429	220	150	180	100	228	50	1" 1/4 G	1" 1/4 G	
P 3L-120/6	98	453	220	150	180	100	228	50			
P 3L-150/7	98	507	220	150	180	100	228	50			
P 3L-180/8	98	531	220	150	180	100	228	50			
P 3L-200/9	98	555	220	150	180	100	228	50			
P 3L-250/10	98	579	220	150	180	100	228	50			
P 3L-280/11	98	M 648	220	150	180	100	228	M 236			50
		T 603						T 228			
P 3L-300/12	98	M 672	220	150	180	100	228	M 236			50
		T 627						T 228			