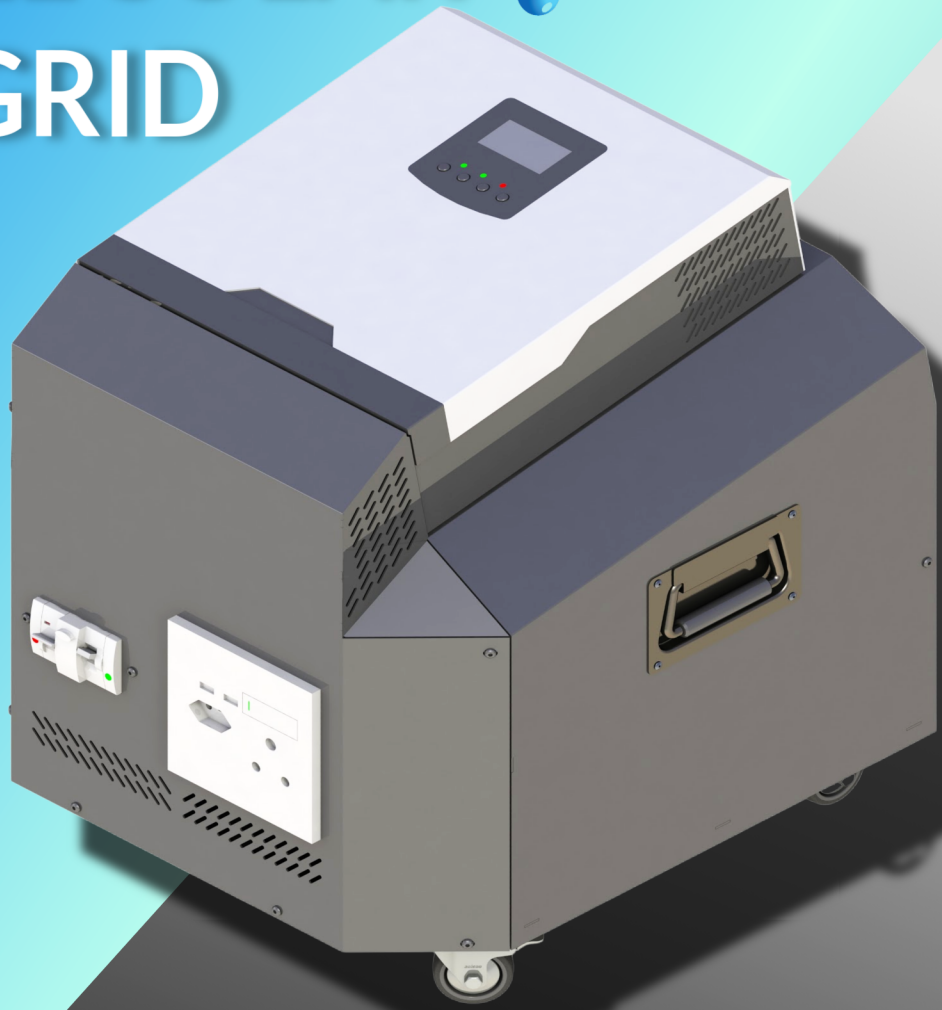


# FULL CIRCLE SOLAR AfriPumps

## 3KW OFF-GRID INVERTER



### What can I run:

- 10 x LED(5w) : +-50w/hour
- LED 42 inch TV : +-80w/hour
- DSTV: + -50w/hour
- Fridge +-350l: + - 200w/hour
- Alarm system: + -50w
- Computer: + - 350w

**TOTAL 730w/hour**

**With 2x 120Ah Hubble S120  
Lithium Ion Batteries.**

**Available 3000w**

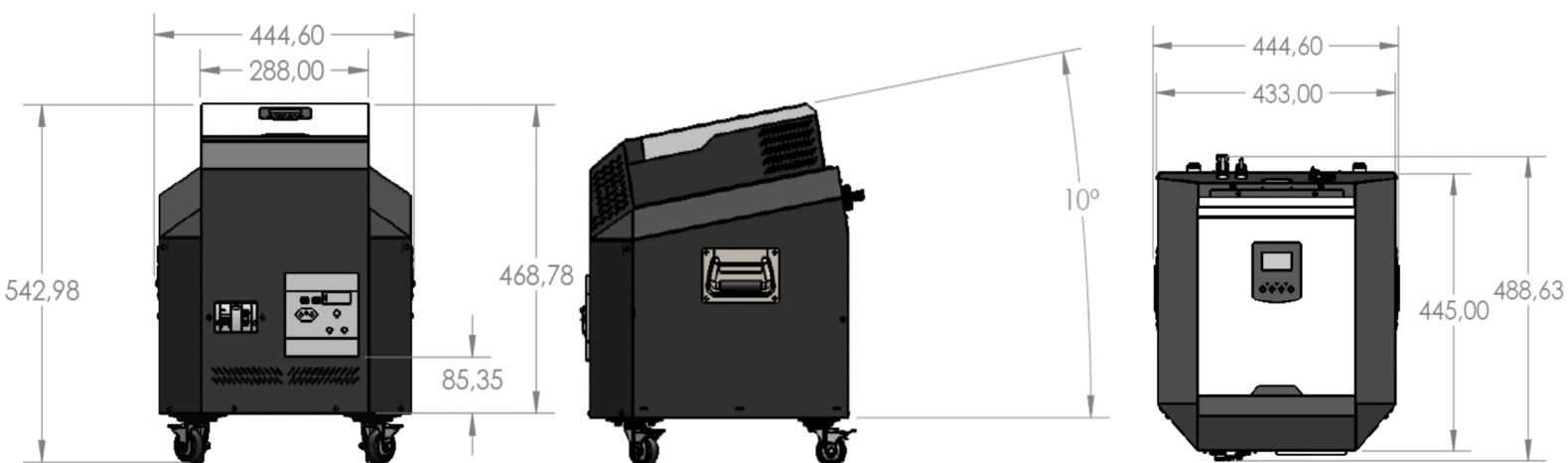
## Main Features

- Pure sine wave solar inverter
- Selectable high power charging current
  - Selectable input voltage range for home appliances and personal computers
  - Smart battery charger design for optimizing battery performance
- Configurable AC/Solar input priority via LCD setting
- Compatible to mains voltage or generator power
  - Auto restart while AC is recovering
- Overload and short circuit protection
  - Wide DC input range
  - Cold start function

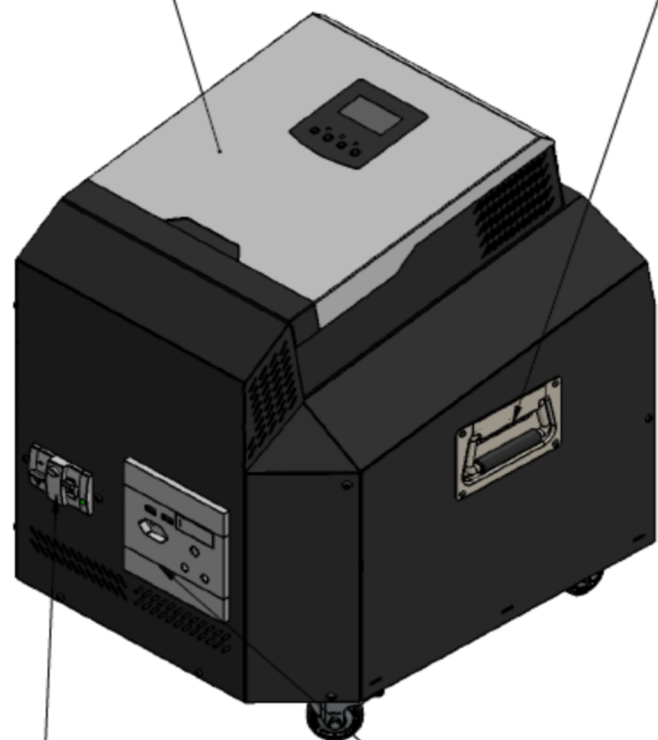


# 3KW BACK UP

# BUDDY OVERVIEW AND SIZES



3KW INVERTER



FRONT PANEL BREAKERS WITH EARTH LEAKAGE

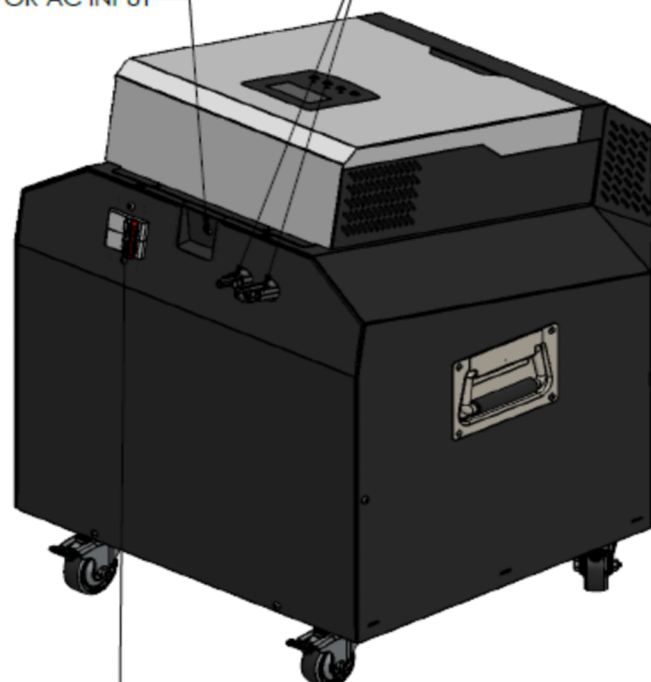
PLUG CONNECTION INCLUDING USB

BATTERY BREAKER

LIFTING HANDLES

STANDARD 3-PIN PLUG FOR AC INPUT

MC4 SOLAR PANEL CONNECTORS



SWIVEL WHEELS (2X BRAKED & 2X UNBRAKED)