

## SCALA2



TM06 4538 2515

### General description

Grundfos SCALA2 is a fully integrated, self-priming, compact waterworks for pressure boosting in domestic applications.

SCALA2 incorporates integrated speed control enabling the keeping of the perfect pressure at the taps, meaning that the pump performance will increase with increasing demand.

SCALA2 can be installed in three easy steps:

1. Connect the pipes.
2. Prime the pump.
3. Plug the pump into the power outlet and the pump will start.

Grundfos SCALA2 has all the components necessary to ensure a comfortable pressure:

- intelligent controller
- integrated speed-controlled drive
- integrated pressure tank
- integrated sensors
- integrated non-return valve.

### Features

|  |
|--|
| <b>SCALA2</b>                          |
| Adjustable constant pressure           |
| Low noise, < 47 dB(A) (in typical use) |
| Compact                                |
| Robust and reliable                    |
| Easy installation and self-priming     |
| Dry-running protection                 |

### Applications

Grundfos SCALA2 is designed for pressure boosting in one- and two-family houses and apartments.

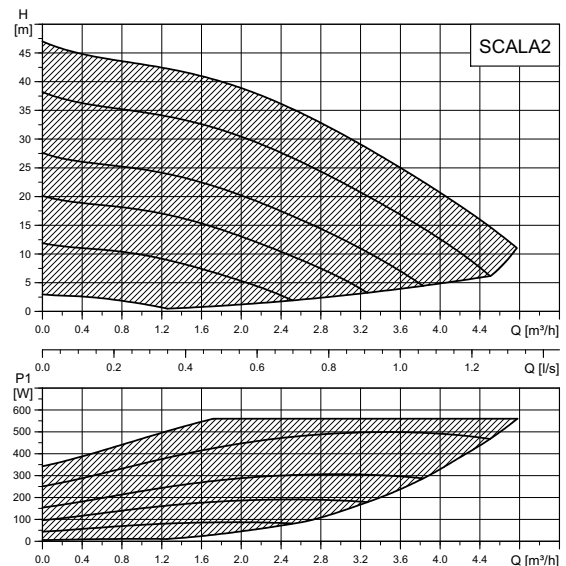
We recommend SCALA2 for the following applications:

- pressure boosting of city mains water
- pressure boosting of water from roof tank
- pressure boosting of water from break tank
- pressure boosting of water from ground tank
- water supply from shallow wells (< 8 m).

### Performance

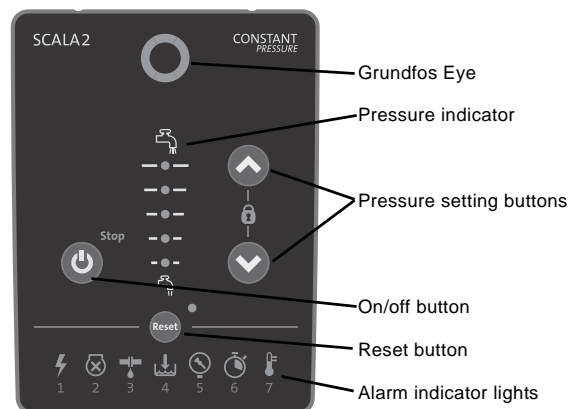
SCALA2 is suitable for houses with up to three floors and eight tapping points.

Accurate sizing of the pump can be based on the pump curve below and local norms and standards.



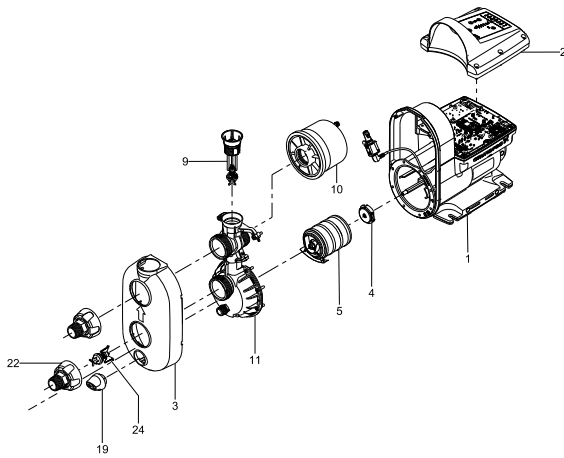
TM06 4320 0216

### Control panel



TM06 3301 5114

## Exploded view

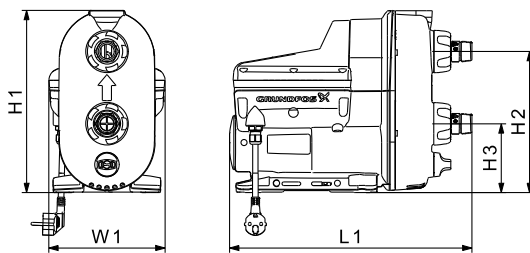


TM06 3306 5114

## Materials

| Pos. | Component name                   | Material                                      |
|------|----------------------------------|---|
| 1    | Combined pump and stator housing | Aluminium, Composite and EN 1.4301 / AISI 304 |
| 2    | Control box cover                | Composite                                     |
| 3    | Pump cover                       | Composite                                     |
| 4    | Shaft seal                       | Carbon/Ceramic                                |
| 5    | Chamber stack (four stages)      | Composite                                     |
| 9    | Non-return valve, outlet         | Composite                                     |
| 10   | Pressure tank complete           | Composite, Butyl and EN 1.4301/AISI 304       |
| 11   | Connection part                  | Composite                                     |
| 19   | Drain plug                       | Composite                                     |
| 22   | Thread R 1" / NPT 1"             | Composite                                     |
| 24   | Non-return valve, inlet          | Composite                                     |

## Dimensional sketch



TM06 3305 5114

| Type   | H1 [mm] [inch] | H2 [mm] [inch] | H3 [mm] [inch] | W1 [mm] [inch] | L1 [mm] [inch] | Weight [kg] [lbs] |
|--------|----------------|----------------|----------------|----------------|----------------|-------------------|
| SCALA2 | 302<br>11.9    | 234<br>9.2     | 114<br>4.5     | 193<br>7.6     | 403<br>15.9    | 10<br>22          |

## Thermal protection

SCALA2 incorporates current- and temperature-dependent motor protection.

## Technical data

| Type   | Voltage [V] and Frequency [Hz] | I <sub>max</sub> [A] and P <sub>1</sub> [W] | Thread | Plug                   | Product number |
|--------|--------------------------------|---|--------|------------------------|----------------|
| SCALA2 | 1 x 200-240<br>50/60           | 2.3 - 2.8<br>550                            | R 1"   | IEC type E & F, CEE7/7 | 98562862       |
|        |                                |   |        | No plug (China)        | 98562863       |
|        |                                |   |        | No plug                | 98562865       |
|        |                                |   |        | IEC type I, AS/NZS3112 | 98562866       |
|        |                                |   |        | IEC type G, BS1363     | 98562870       |
| SCALA2 | 1 x 208-230<br>60              | 2.3 - 2.8<br>550                            | NPT 1" | IEC type I, IRAM 2073  | 98562872       |
|        |                                |   |        | NEMA 6-15P             | 98562817       |
| SCALA2 | 1 x 115<br>60                  | 5 - 5.7<br>560                              |        | IEC type B, NEMA 5-15P | 98562818       |

## Operating conditions

Max. ambient temperature: 45 °C (113 °F).  
55 °C (131 °F) for 1 x 200-240 V, 50 Hz models.

Max. liquid temperature: 45 °C (113 °F).

Max. system pressure: 10 bar (145 PSI, 1 MPa):  
Max. inlet pressure: 6 bar (87 PSI, 0.6 MPa).

Max. head: 45 m (147 feet).

IP rating: X4D (outdoor installation).

Pumped liquid: Clean, fresh water and chlorinated water < 300 ppm.

## Markings and approvals

Safety approvals



Drinking water approvals



98880509 0216

ECM: 1166611

Subject to alterations.