



Electronic Pressure Control Devices



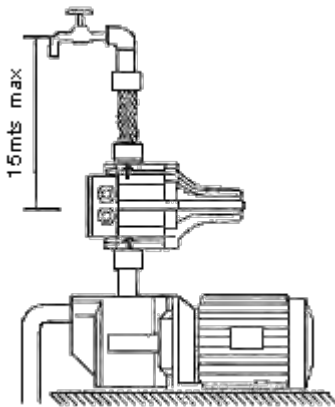
PS01



PS02A Type A



PS02B Type B
(Pressure Adjustable: 1.5-3.2bar)



1. Rated Voltage:220V-240V ,110V-115V
- 2.Max.Current:10A
- 3.Frequency:50/60HZ
- 4.Max.Power:1.5KW
- 5.Joint Screw:1 "
- 6.Protection Grade: IP65
- 7.Starting pressure to choose:1.5 bar OR 2.4bar

8.Coverage:As a completely new device, it can guarantee the optimum control of electric pumps used in a plumping systems. Being an intelligent incorporate of hydraulic and electronic engineering, the control maintains both pressure and flow and controls the operation of the pump automatically. It needs no pressure tank as in the traditional systems. There are no plenum chambers to recharge and no irritating variation in pressure and in flow at the point of use .No adjustment or

maintenance is required. It is absolutely dependable, stable, durable and simple to install.

9. Function: The starting operation archived, the unit is programmed to perform all the pump control operations automatically. When particular operational breakdowns occur, such as water failure, obstruction of the suction pipe etc, the unit detects the breakdown and red led Failure lights up, at the same time a stop signal is sent to the pump to turn off to prevent damages caused by its working in the absence of water. Rectification of the failures that have caused the blockage, allows the system to be restarted by pressing the Reset button.

10. Instructions for installation: as per **Sketch Map**.