

**Customer**

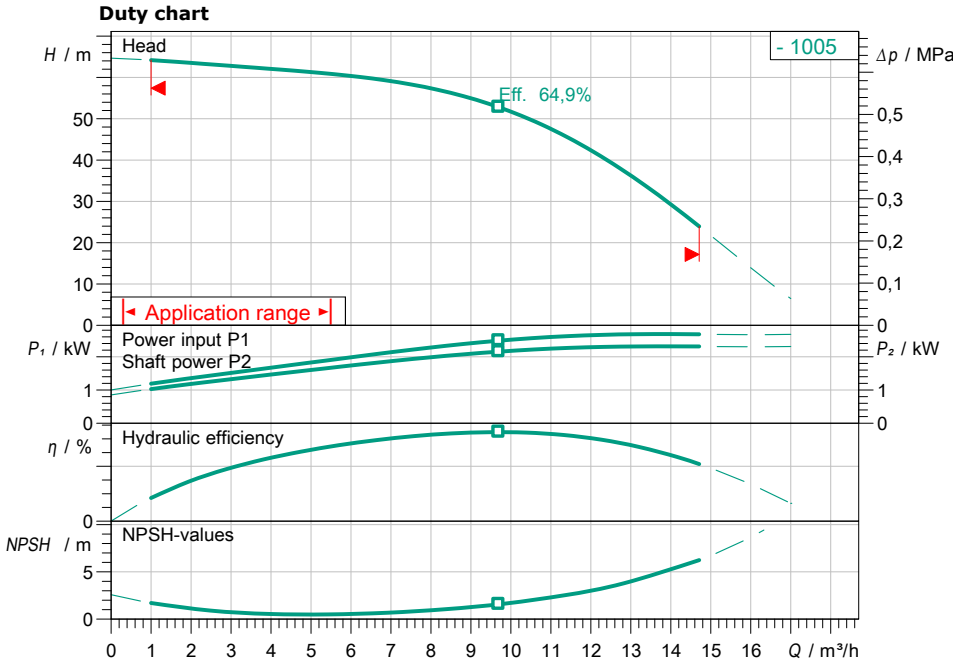
## Technical data

### High-pressure multistage centrifugal pump Medana CH1-L.1005-1/E/E/10T

Project name

Project ID  
Installation location  
Customer pos.no

Date 2021-07-13



**Requested data**

Flow	
Head	
Media	Water 100 %
Fluid temperature	20,00 °C
Density	998,30 kg/m <sup>3</sup>
Kin. viscosity	1,00 mm <sup>2</sup> /s

**Hydraulic data (Duty point)**

Flow  
Head

**Product data**

High-pressure multistage centrifugal pump Medana CH1-L.1005-1/E/E/10T	
Max. operating pressure	1 MPa
Inlet pressure max.	0,6 MPa
Fluid temperature	-20 °C ... +120 °C
Max. ambient temperature	50 °C

**Motordata per Motor/Pump**

Mains connection	3~ 400 V / 50 Hz
Permitted voltage tolerance	+ -10 %
Max. speed	2900 1/min
Rated power P2	2,50 kW
Rated current	5,20 A

Degree of protection	IP55
Insulation class	F
Motor protection	no

**Fitting dimensions**

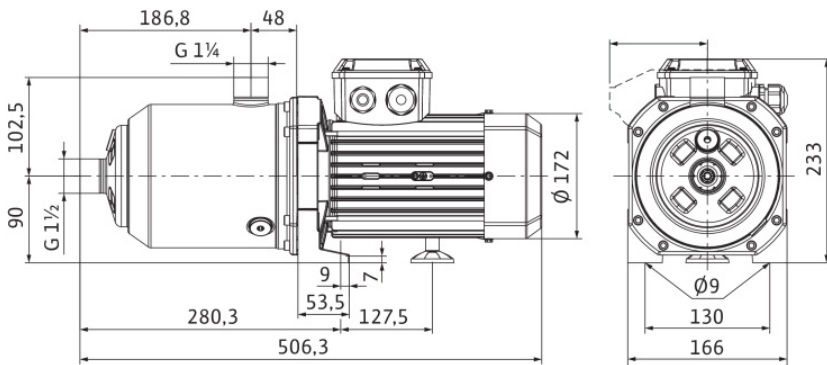
Pipe connection on the suction side Rp 1½, PN 10  
 Pipe connection on the pressure side Rp 1¼, PN 10

**Materials**

Pump housing	1.4301
Impeller	1.4301
Shaft	1.4301
Shaft seal	BQ1E3GG
Gasket material	EPDM

**Information for order placements**

Weight approx.	21,2 kg
Item number	4231499



**Dimensions** mm