

## CHARACTERISTICS

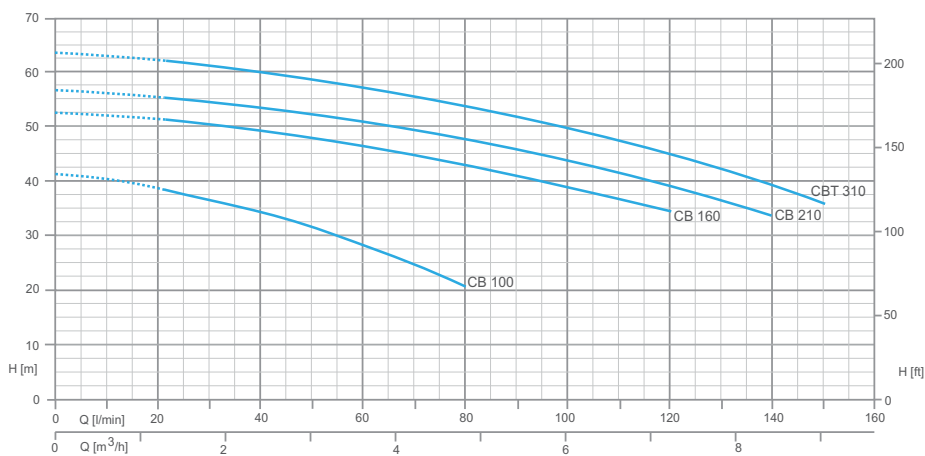
**USES** - Two impeller centrifugal pumps for constructing pressurisation systems for civil and industrial plant; the two counter-posed impellers guarantee high head with good delivery.

**CONSTRUCTION FEATURES** - Cast iron pump casing with threaded openings; cast iron motor bracket; impeller in brass and Noryl® (mod. CB100 + 751, CBT 900), brass impeller CBT 800, 1000 + 1500; ceramic - graphite mechanical seal; motor shaft in AISI 416 steel CB 100, in 303 the hydraulic side in other models; world leading brand ball bearings; Liquid temperature range 0 - 90 °C (0 - 50 °C if impeller in Noryl®); max. operating pressure: 6 bar for CB100, 10 bar up to CBT 751 and CBT 900, 11 bar for larger models.

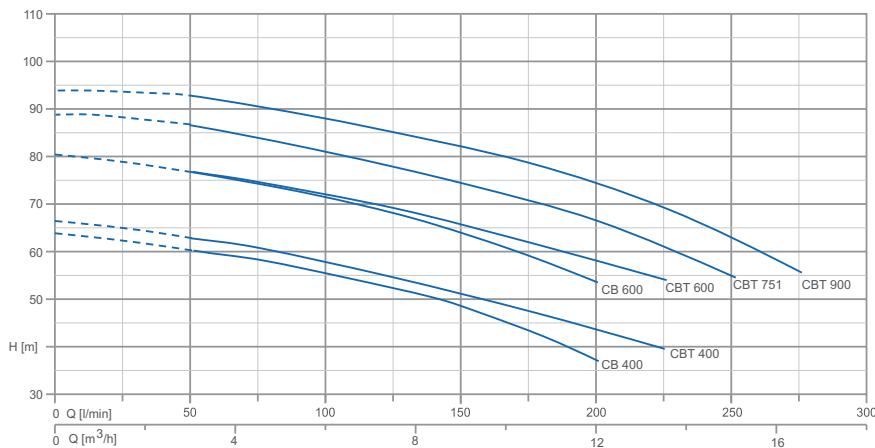
**MOTOR** - 2 pole electric induction motor for continuous operations; stator made with low-loss laminated electric sheet steel; insulation Class F; IP 44 protection level; thermal protection for single-phase models (excluding models CB400 and CB600) ; the user is responsible for supplying protection for the three-phase models.

**ON REQUEST** - Other operating voltages and frequencies; special mechanical seal; special liquids.

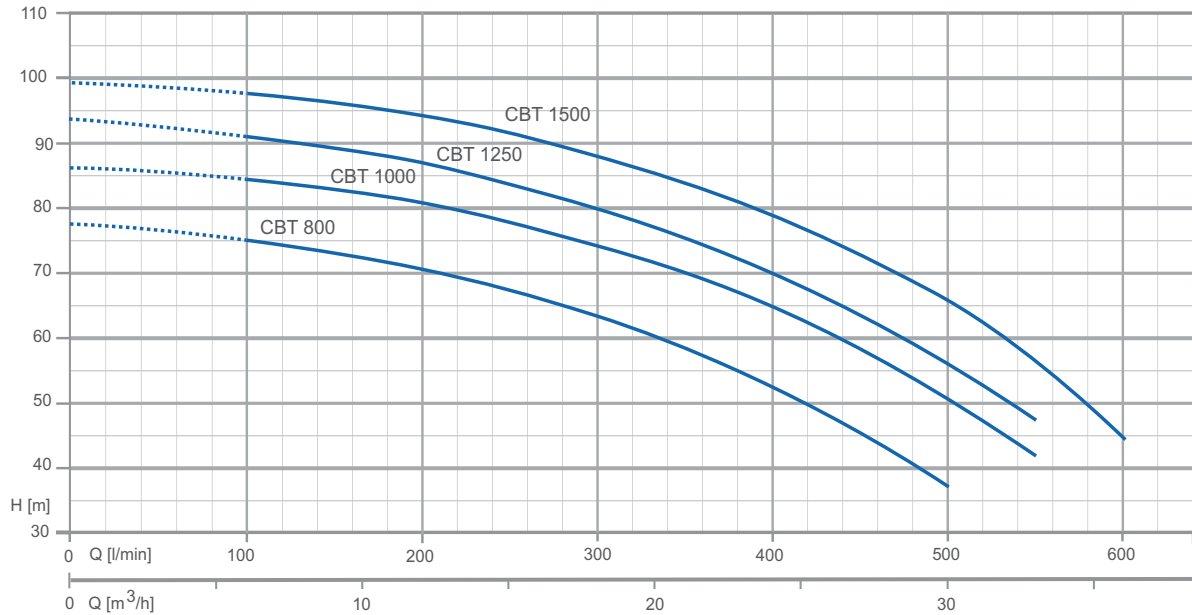
## Dimensions



TYPE		P2		P1 (kW)		AMPERE		Q (m³/h - l/min)											
1~	3~	(HP)	(kW)	1~3~		1~3~		H (m)											
230 V - 50 Hz	230 / 400 V - 50 Hz					1x230V 50Hz	3x400V 50Hz	0	0.6	1.2	1.8	2.4	3.6	4.8	6	7.2	8.4	9	
								0	10	20	30	40	60	80	100	120	140	150	
CB 100	CBT 100	1	0.74	1.17	1.15	5.4	2.4	42	40.8	39.4	37.4	34.7	29.2	21	-	-	-	-	
CB 160	CBT 160	1.5	1.1	2.30	2.20	10.2	4.1	53	52.5	52	51	50	46.9	43.3	39.7	35	-	-	
CB 210	CBT 210	2	1.5	2.60	2.45	11.5	4.8	57.3	56.9	56	55.1	54	51.5	48.4	44.4	39.5	34	-	
-	CBT 310	3	2.2	-	2.80	-	5.2	64	63.5	63	61.9	60.6	57.7	54.1	50	45.4	39.4	36	

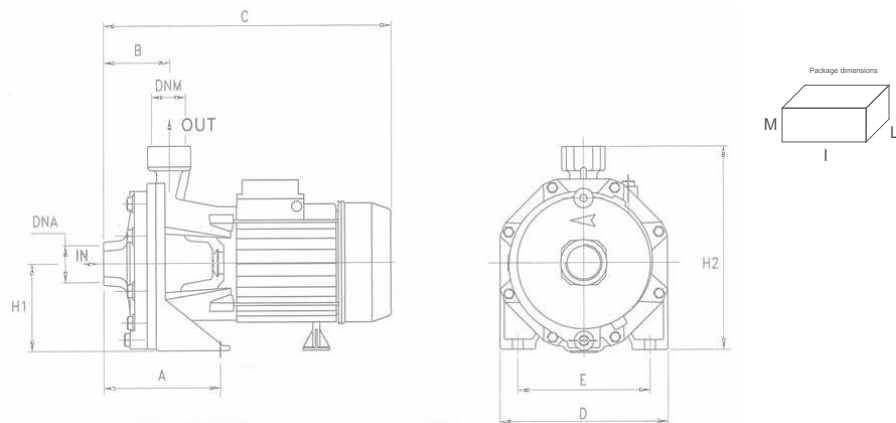


TYPE		P2		P1 (kW)		AMPERE		Q (m³/h - l/min)																	
1~	3~	(HP)	(kW)	1~3~		1~3~		H (m)																	
230 V - 50 Hz	230 / 400 V - 50 Hz					1x230V 50Hz	3x400V 50Hz	0	1.5	3	4.5	6	7.5	9	10.5	12	13.5	15	16.5						
								0	25	50	75	100	125	150	175	200	225	250	275						
CB 400	-	4	3	4.3	-	19	-	64.4	62.7	60.8	58.3	55.6	52.6	48.7	43.5	37.9	-	-	-						
-	CBT 400	4	3	-	4.6	-	7.9	66.9	65.2	63.3	61	58.4	55.2	51.5	47.8	44.3	40.1	-	-						
CB 600	-	5.5	4	5.7	-	26	-	80.4	79.1	77.1	74.5	71.8	68.4	64	59.2	54.1	-	-	-						
-	CBT 600	5.5	4	-	5.65	-	9.8	80.4	79.1	77.1	75	72.2	69.4	66	62.4	58.6	54.5	-	-						
-	CBT 751	7.5	5.5	-	6.8	-	11.6	89.5	88.3	86.7	84.1	81.3	78.3	74.7	71.1	66.9	61.3	55	-						
-	CBT 900	9	6.6	-	7.6	-	13.2	94.2	93.8	92.8	91.2	88.7	85.7	82.5	79.1	75	69.4	64.4	56						



TYPE	P2		P1 (kW)	AMPERE 3~	Q (m³/h - l/min)							
					0	6	12	18	24	30	33	36
3~	(HP)	(kW)	3~	3x400V 50Hz	0	100	200	300	400	500	550	600
400 / 690 V - 50 Hz	(HP)	(kW)	3~	3x400V 50Hz	H (m)							
CBT 800	7.5	5.5	8.5	15.0	77	74.6	70.5	62.8	51.6	36	-	-
CBT 1000	10	7.5	10.35	17.2	86.4	84.8	80.7	74.3	64	50.2	40.4	-
CBT 1250	12.5	9.2	11.1	18.9	93.6	91	86.3	79.7	68.5	55.2	46	-
CBT 1500	15	11	12.1	20.4	98.7	97.6	94.2	87.6	78.2	65.6	57.5	40.9

## Dimensions



TYPE	DIMENSIONS (mm)												Kg
	A	B	C	D	E	H1	H2	DNA	DNM	I	L	M	
CB 100	122	72	328	180	140	98	228	1" G	1" G	350	195	265	15.3
CB 160	115	82	385	210	170	110	265	1" 1/4 G	1" G	405	225	295	24.7
CB 210	115	82	385	210	170	110	265	1" 1/4 G	1" G	405	225	295	25.6
CB 310	115	82	385	210	170	110	265	1" 1/4 G	1" G	405	225	295	25.6
CB 400	145	95.5	463	266	212	135	305	1" 1/2 G	1" 1/4 G	500	275	350	41
CBT 600	145	95.5	463	266	212	135	305	1" 1/2 G	1" 1/4 G	500	275	350	44.8
CBT 751	145	95.5	480	266	212	135	305	1" 1/2 G	1" 1/4 G	500	275	350	50.5
CBT 900	145	95.5	480	266	212	135	305	1" 1/2 G	1" 1/4 G	500	275	350	55
CBT 800	190	120	605	275	210	150	330	2" G	1" 1/4 G	640	310	370	70.5
CBT 1000	190	120	605	275	210	150	330	2" G	1" 1/4 G	640	310	370	77
CBT 1250	190	120	645	275	210	150	330	2" G	1" 1/4 G	640	310	370	85
CBT 1500	190	120	645	275	210	150	330	2" G	1" 1/4 G	640	310	370	92