

## CHARACTERISTICS

**USES** - Multistage vertical pumps. Pumping of clean non-loaded fluids in the domestic, agricultural and industrial sectors; pressurizing systems; irrigation; drinking and glycol water; water treatment; food industry; heating and air conditioning; washing system.

**ADVANTAGES** - Closed coupled and compact; silent; excellent efficiency that allows a reduction of running cost and power consumption; economical; over-dimensioned bearing for longer life of the machines: intermediate shaft guiding stage for concentricity of rotation

**CONSTRUCTION FEATURES** - Capacity: up to 26 m<sup>3</sup>/h; total Head: up to 125 m.; maximum working pressure: 8 bar 6 impellers. 14 bar > 6 impellers; maximum liquid temperature: from -15 to + 90°C (SV); from - 15 to 110°C (SL, SLX) ambient temperature: max 40°C.

**MOTOR** - 2 pole induction Motor; single phase 230V - 50Hz with thermal protector up to P2= 1,85 kW; three phase 230-400V - 50 Hz; insulation class F; protection degree IP 44.

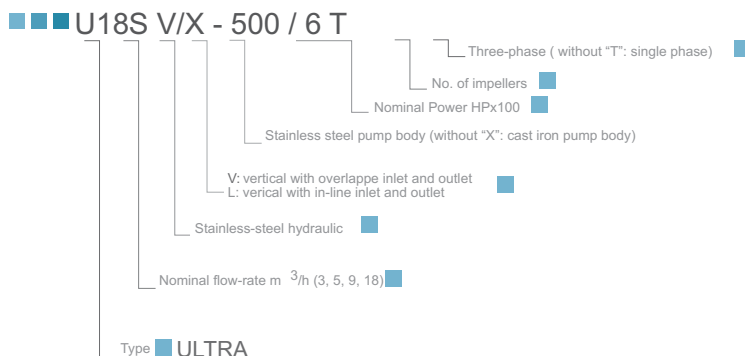
**MATERIALS** - Flanged suction and delivery pump body: grey cast iron (SV,SL) AISI 304 chromo-nickel steel (SLX); flanged delivery pump body: cast iron; shell, impellers, diffusers: AISI 304 chromo-nickel steel; pump shaft: AISI 304 chromo-nickel steel; motor bracket: cast iron; mechanical seal: ceramic-graphite up to 6 stages - graphite-silicon carbide from 7 stages; intermediate shaft guiding stage bush: ceramic-tungsten carbide; pump body gasket: EPDM.



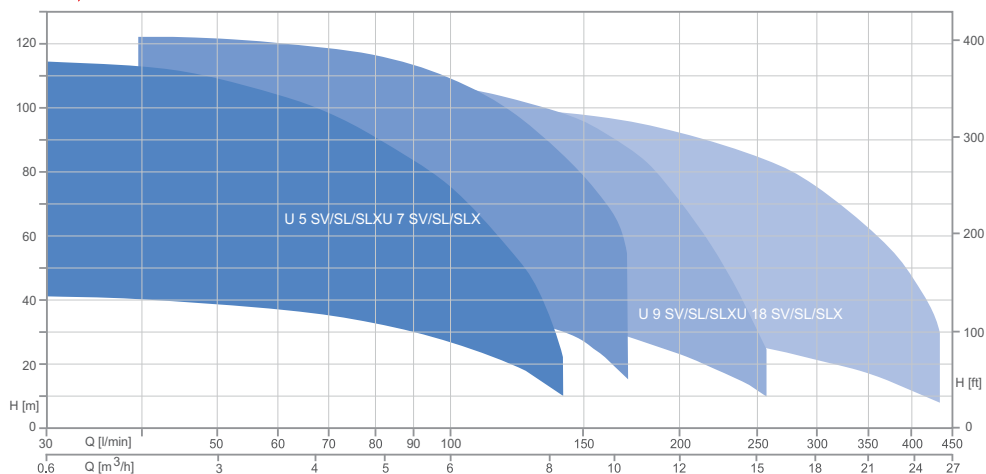
SL



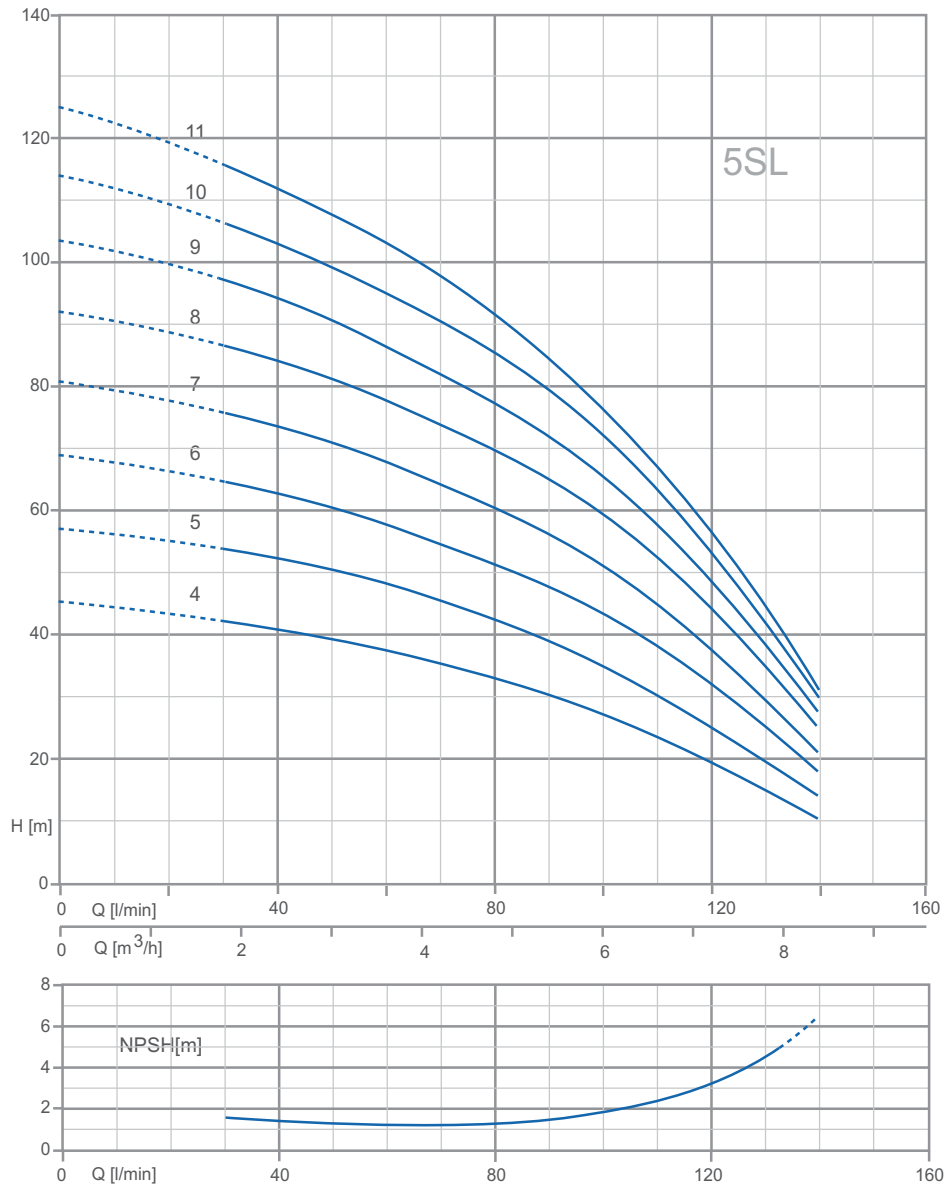
18SL...10/11



ULTRA SV /SL /SLX	
Construction features	
Flanged suction / delivery pump body	grey cast iron (SV/ SL); AISI 304 chromo-nickel steel (SLX)
Shell, impellers, diffusers, pump shaft:	AISI 304 chromo-nickel steel
Motor bracket	grey cast iron
Mechanical seal:	ceramic-graphite up to 6 stage graphite-silicon carbide from 7 stages
Intermediate shaft guiding stage bush	ceramic-tungsten carbide
Pump body gasket:	EPDM
Motor	
2 pole induction motor	1~ 230V-50Hz with thermal protector up to P2=1.85kW
	3~ 230/400V-50Hz
Insulation class	F
Protection degree	IP 44
Limit of use	
Maximum working pressure	8 bar 6 impellers 14 bar > 6 impellers
Maximum liquid temperature	-15 + 90°C (SV); -15 + 110°C (SL/ SLX)
Ambient temperature	max 40°C



ULTRA 5 SL



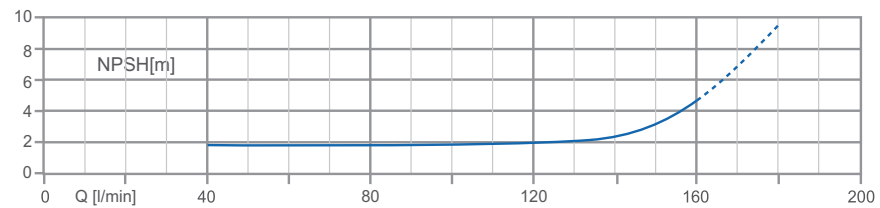
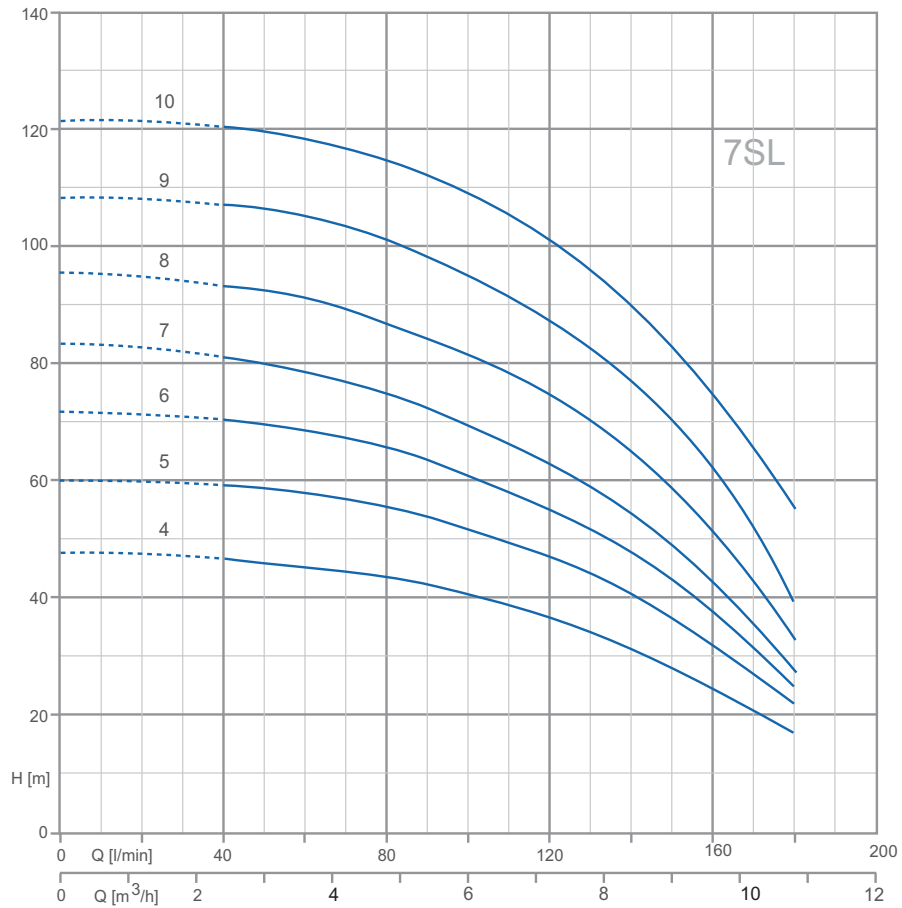
Technical data

ULTRA 5... SV / SL / SLX		P2P1		(kW)		AMPERE		Q (m³/h - l/min)							
1~	3~					1~3~		0	1.8	2.4	3.6	4.8	6	7.2	8.4
230 V - 50 Hz	230 / 400 V - 50 Hz	(HP)	(kW)	1~3~		1x230V 50Hz	3x400V 50Hz	0	30	40	60	80	100	120	140
								H (m)							
U 5SV -120/4*	U 5SV-120/4 T*	1.2	0.9	1.09	1.08	4.9	2.4	45.5	42.2	40.1	37.2	32.9	27.4	19.8	10.4
U 5...-150/5	U 5...-150/5 T	1.5	1.1	1.39	1.31	6.5	2.7	57.2	53.4	51.7	47.6	42.3	35.2	25.7	14
U 5...-180/6	U 5...-180/6 T	1.8	1.3	1.63	1.55	7.3	3	68.9	64.4	62.3	57.5	51.5	43.5	32.6	18.1
U 5...-200/7	U 5...-200/7 T	2	1.5	1.94	1.77	8.7	3.3	81	75.5	73	67.4	60.3	51	38.6	21
U 5...-250/8	U 5...-250/8 T	2.5	1.85	2.2	2.07	10.1	4	92.1	86.5	84	77.8	70.1	60	45.5	26
U 5...-280/9	U 5...-280/9 T	2.8	2.1	2.45	2.27	11	4.2	103.4	96.7	93.5	86	77.1	65.6	48.7	27.6
U 5...-300/10	U 5...-300/10 T	3	2.2	2.67	2.57	11.9	4.7	114.2	106.4	102.9	95.2	85.2	72	53.3	30
U 5...-350/11	U 5...-350/11 T	3.5	2.57	2.85	2.76	12.9	4.9	125.1	115.7	111.8	102.6	91.6	77.1	57.1	30.7

\* 120/4 : only SV type; solamente para el modelo SV; seulement pour le modèle SV; Только для модели SV.

ULTRA 7 SL

ELECTRIC PUMPS  
MULTISTAGE

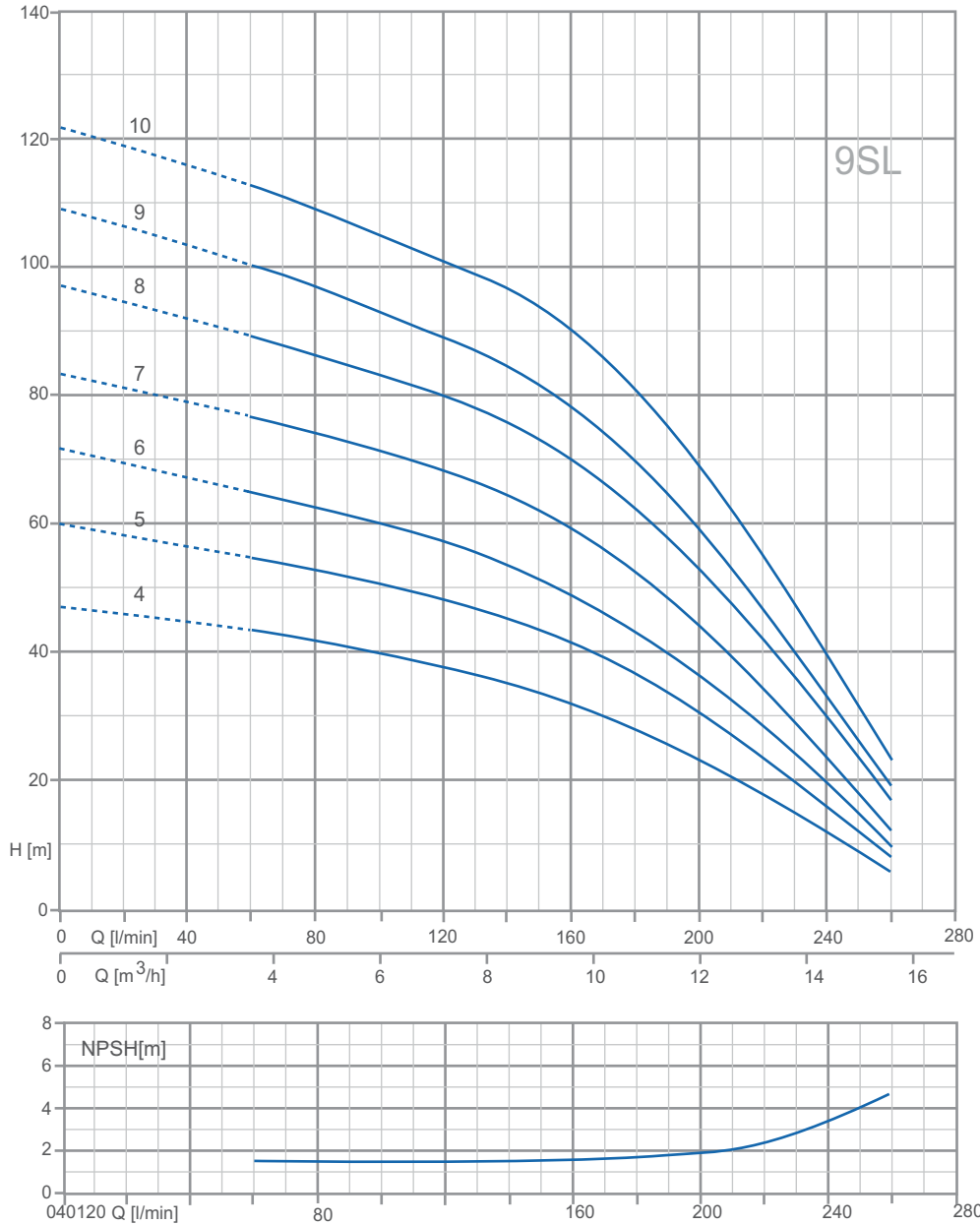


Technical data

ULTRA 7...SV / SL / SLX		P2		P1 (kW)		AMPERE		Q (m³/h - l/min)									
1~	3~					1~3~		0	2.4	3.6	4.8	6	7.2	8.4	9.6	10.8	
230 V - 50 Hz	230 / 400 V - 50 Hz	(HP)	(kW)	1~3~		1x230V 50Hz	3x400V 50Hz	0	40	60	80	100	120	140	160	180	
								H (m)									
U 7...-180/4	U 7...-180/4 T	1.8	1.3	1.69	1.62	7.7	3.1	48.0	46.3	45.7	43.6	40.4	36.4	31.4	25.0	17.2	
U 7...-250/5	U 7...-250/5 T	2.5	1.85	2.19	2.05	10.2	4.1	60.3	59.0	58.2	55.7	52.2	47.4	41.3	33.5	22	
U 7...-300/6	U 7...-300/6 T	3	2.2	2.53	2.44	11.4	4.8	72.5	70.5	69.2	66	61.5	55.7	47.8	37.8	24.7	
-	U 7...-350/7 T	3.5	2.57	-	2.84	-	5.1	83.5	80.7	78.8	74.7	69.4	62.6	53.9	42.7	27.5	
-	U 7...-400/8 T	4	3	-	3.3	-	6	95.6	93.3	91.4	87.2	81.6	74.2	64.8	51.9	33.0	
-	U 7...-450/9 T	4.5	3.31	-	3.81	-	6.5	108.5	106.6	105.1	101.0	95.0	87.2	76.6	62.6	39.5	
-	U 7...-550/10 T	5.5	4	-	4.32	-	7.9	121.5	120.1	119.3	115.3	109.2	100.8	89.8	75.0	55.4	

ULTRA 9 SL

ELECTRIC PUMPS  
MULTISTAGE

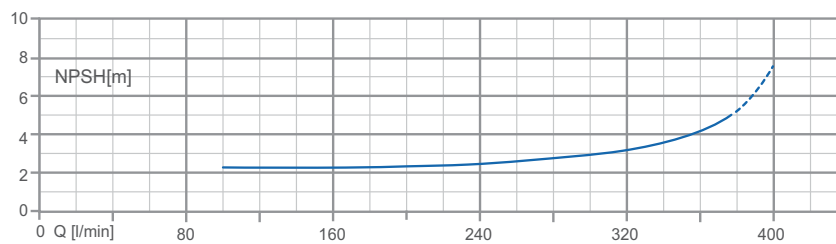
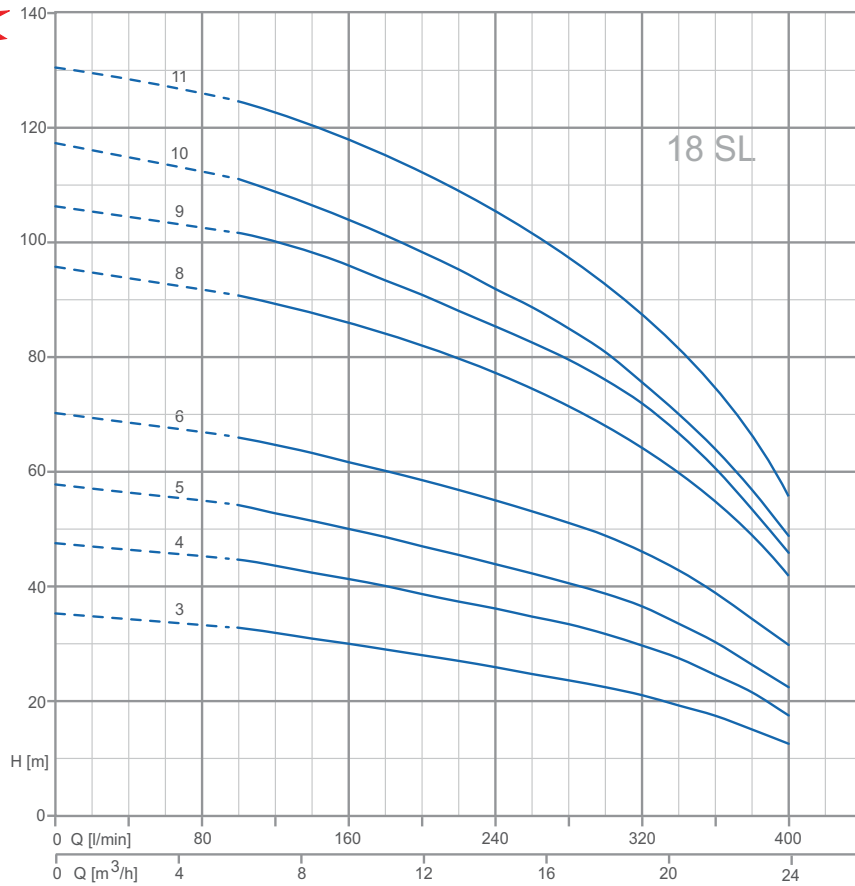


Technical data

ULTRA 9...SV / SL / SLX		P2P1		(kW)		AMPERE		Q (m³/h - l/min)											
1~	3~	(HP)	(kW)	1~3~		1~3~		0	3.6	4.8	6	7.2	8.4	9.6	10.8	12	13.2	14.4	15.6
								0	60	80	100	120	140	160	180	200	220	240	260
230 V - 50 Hz	230 / 400 V - 50 Hz					1x230V 50Hz	3x400V 50Hz	H (m)											
U 9...-200/4	U 9...-200/4 T	2	1.5	1.88	1.77	8.4	3.3	47.6	43.5	42.1	40.1	38.1	35.7	32.7	28.9	24.2	19	13.1	7.1
U 9...-250/5	U 9...-250/5 T	2.5	1.85	2.36	2.23	10.8	4.3	60	54.8	53	51	48.2	45.4	42	37.3	31.6	25	18	10.6
U 9...-300/6	U 9...-300/6 T	3	2.2	2.78	2.58	12.5	4.9	71.8	64.9	63	59.9	57	53.7	49.7	44.3	37	29.5	20.8	11.1
-	U 9...-400/7 T	4	3	-	3.13	-	5.8	83.3	76.7	74.9	71.8	68.3	64.6	59.9	53.5	44.8	35.9	25.7	14.3
-	U 9...-450/8 T	4.5	3.31	-	3.72	-	6.4	97.3	89.5	87.3	84	80.5	76.5	71.6	64.8	54.9	44	32.4	19.7
-	U 9...-500/9 T	5	3.7	-	4.11	-	7	109	100	97.6	93.6	89.5	85	79.4	71.6	60.1	48	34.9	21.9
-	U 9...-550/10 T	5.5	4	-	4.58	-	8.3	122	112.8	110.5	106.5	102.2	97.3	91.6	82.8	70.7	57.1	42.3	26.5

ULTRA 18 SL

ELECTRIC PUMPS  
MULTISTAGE



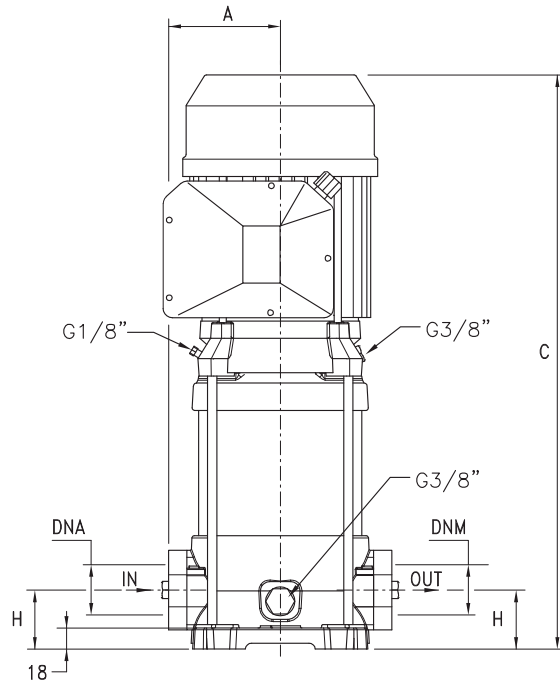
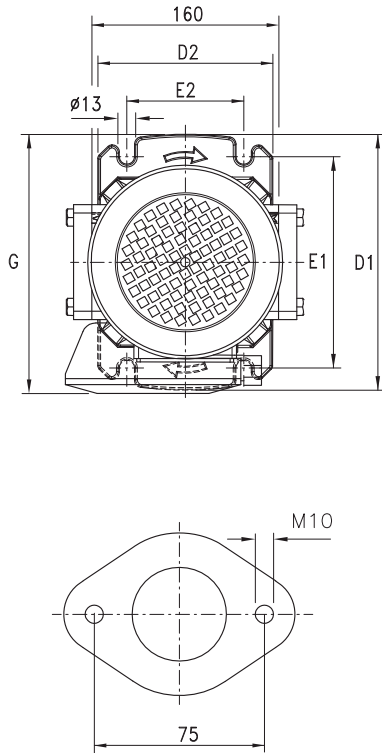
Technical data

ULTRA 18...SV / SL / SLX	P <sub>2</sub>		P <sub>1</sub>	Q (m <sup>3</sup> /h - l/min)																	
				AMPERE																	
3~	(HP) (kW)		3~	H (m)																	
				3~																	
U 18...-250/3 T	2.5	1.85	2.29	4.4	35.7	33.1	32.3	31.3	30.4	29.4	28.4	27.4	26.3	25.1	24	22.8	21.4	19.6	17.8	15.4	12.9
U 18...-400/4 T	4	3	3.11	5.7	47.9	45	44	42.8	41.7	40.5	39.1	37.8	36.6	35.2	33.9	32.2	30.2	28	25.1	22.1	18.1
U 18...-450/5 T	4.5	3.31	3.79	6.7	58.1	54.3	53.1	51.8	50.4	49	47.4	45.9	44.3	42.7	41	39.2	37	34	30.8	26.9	23
U 18...-550/6 T	5.5	4	4.63	8.7	70.5	66.4	65	63.6	62	60.5	58.9	57.2	55.4	53.5	51.5	49.3	46.3	43.3	39.4	34.9	30.4
U 18...-750/8 T	7.5	5.5	6.15	10.9	95.9	90.9	89.58	88	86.1	83.9	81.6	79.5	76.8	74.37	71.8	68.6	65	60.4	55.2	49	42.2
U 18...-900/9 T	9	6.6	7	12.7	106.4	101.8	100.4	98.6	96.1	93.5	91	88.2	85.5	82.7	79.7	76.2	72.1	66.9	60.8	53.67	46.1
U 18 SL/ SLX-850/10 T*	8.5	6.3	7.4	12.6	117.4	111.3	109.2	106.7	104	101.3	98.4	95.4	92	88.8	85.1	81	75.7	70.2	64.1	57	49
U 18 SL/ SLX-1000/11 T*	10	7.5	8.4	14.6	130.5	125	122.8	120.2	117.3	114.4	111.5	108.4	105.4	101.9	98	93.8	88.6	81.7	74.3	65.5	56.8

\* - 850/10 T, - 1000/11 T: only SL / SLX type; seulement pour le modèle SL / SLX; solamente para el modelo SL / SLX;

ULTRA 5-7 SL

Dimensions

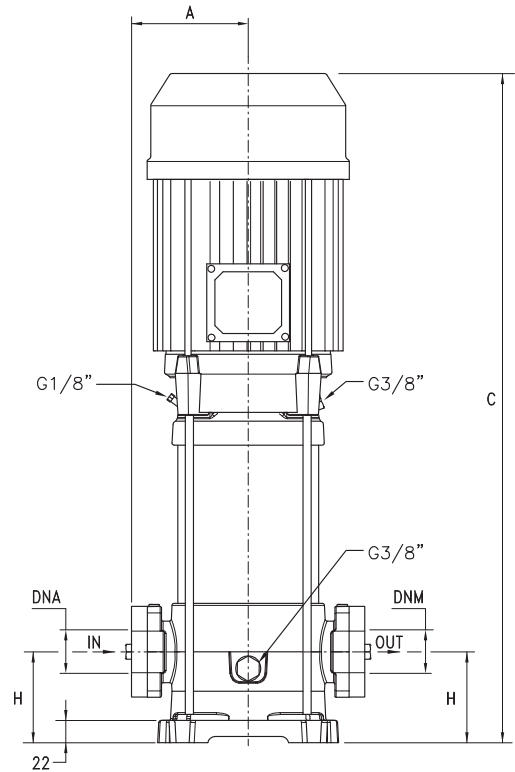
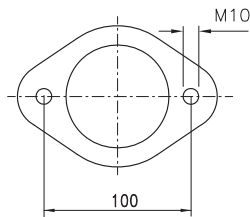
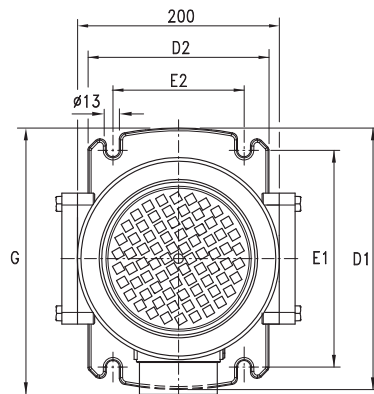


Technical data

ULTRA SL / L / SLX	DIMENSIONS (mm)								Kg			DNA	DNM
	A	C	D1	D2	E1	E2	G	H					
U 5...-150/5	98	459	220	150	180	100	228	50	23.7	22.4	22.2	1"1/4	1"1/4
U 5...-180/6	98	483	220	150	180	100	228	50	24.9	23.3	23.4		
U 5...-200/7	98	507	220	150	180	100	228	50	27.0	25.1	25.5		
U 5...-250/8	98	531	220	150	180	100	228	50	28.0	25.7	26.4		
U 5...-280/9	98	M 600	220	150	180	100	M 236	50	30.8	28.2	29.2		
		T 555											
U 5...-300/10	98	M 624	220	150	180	100	M 236	50	31.4	28.6	29.9		
		T 579										T 228	
U 5...-350/11	98	648	220	150	180	100	236	50	34.7	31.6	33.2		
U 7...-180/4	98	435	220	150	180	100	228	50	23.8	22.7	22.3	1"1/4	1"1/4
U 7...-250/5	98	459	220	150	180	100	228	50	26.1	24.7	24.6		
U 7...-300/6	98	M 528	220	150	180	100	M 236	50	29.0	27.3	27.5		
		T 483											
U 7...-350/7	98	552	220	150	180	100	236	50	29.8	27.7	28.3		
U 7...-400/8	98	576	220	150	180	100	236	50	33.3	30.6	31.5		
U 7...-450/9	98	633	220	150	180	100	251	50	37.7	34.9	36.1		
U 7...-550/10	98	657	220	150	180	100	251	50	41.0	38.0	39.5		

ULTRA 9-18 SL

Dimensions



Technical data

ULTRA SL / L / SLX	DIMENSIONS (mm)								Kg			DNA GG	DNM
	A	C	D1	D2	E1	E2	G	H					
U 9...-200/4	118	490	260	180	215	130	248	80	29.9	28.6	28.1	1 1/2	1 1/2
U 9...-250/5	118	520	260	180	215	130	248	80	30.8	29.2	29.0		
U 9...-300/6	118	M 595 T 550	260	180	215		M 256 T 248	80	33.8	31.8	32.0		
U 9...-400/7	118	625	260	180	215	130	256	80	37.6	35.0	35.5		
U 9...-450/8	118	688	260	180	215	130	271	80	41.3	38.6	39.5		
U 9...-500/9	118	718	260	180	215	130	271	80	42.1	39.1	40.3		
U 9...-550/10	118	748	260	180	215	130	271	80	45.5	42.1	43.7	2"	
U 18...-250/3	118	492	260	180	215	130	248	90	33.5	32.1	31.6		
U 18...-400/4	118	575	260	180	215	130	256	90	36.1	34.2	34.2		
U 18...-450/5	118	646	260	180	215	130	271	90	40.4	38.1	38.5		
U 18...-550/6	118	683	260	180	215	130	271	90	44.4	41.5	42.5		
U 18...-750/8	118	804	260	180	215	130	280	90	54.3	50.4	52.4		
U 18...-900/9	118	842	260	180	215	130	280	90	54.6	50.3	52.7		
U 18...-850/10	118	1020	260	180	215	130	307	90	68.6	63.8	66.7		
U 18...-1000/11	118	1057	260	180	215	130	307	90	75.6	70.3	73.7		