

CHARACTERISTICS

USES - Stainless steel multistage horizontal pumps. Pumping of clean non-loaded fluids in the domestic, agricultural and industrial sectors; pressurizing systems; irrigation; drinking and glycol water; water treatment; food industry; heating and air conditioning; washing system.

ADVANTAGES - Closed coupled and compact; silent; excellent efficiency that allows a reduction of running cost and power consumption; economical; over-dimensioned bearing for longer life of the machines: intermediate shaft guiding stage for concentricity of rotation

CONSTRUCTION FEATURES - Capacity: up to 26 m³/h; total Head: up to 78 m.; maximum working pressure: 8 bar (9 bar with 7 impellers); maximum liquid temperature: from -15 up to + 110 °C; ambient temperature: max 40 °C.

MOTOR - 2 pole induction Motor; single phase 230V - 50Hz with thermal protector up to P2= 1,85 Kw; three phase 230-400V - 50 Hz; insulation class F; protection degree IP 44.

MATERIALS - Pump body, impellers, diffusers, mechanical seal disc holder: chromo-nickel steel AISI 304; pump shaft: AISI 304 chromo-nickel steel; motor bracket: aluminum alloy; mechanical seal: ceramic-graphite up to 6 stages - graphite-silicon carbide from 7 stages; intermediate shaft guiding stage bush: ceramic-tungsten carbide; pump body gasket: EPDM.



ULTRA 18S



ULTRA 5S



ULTRA 9S

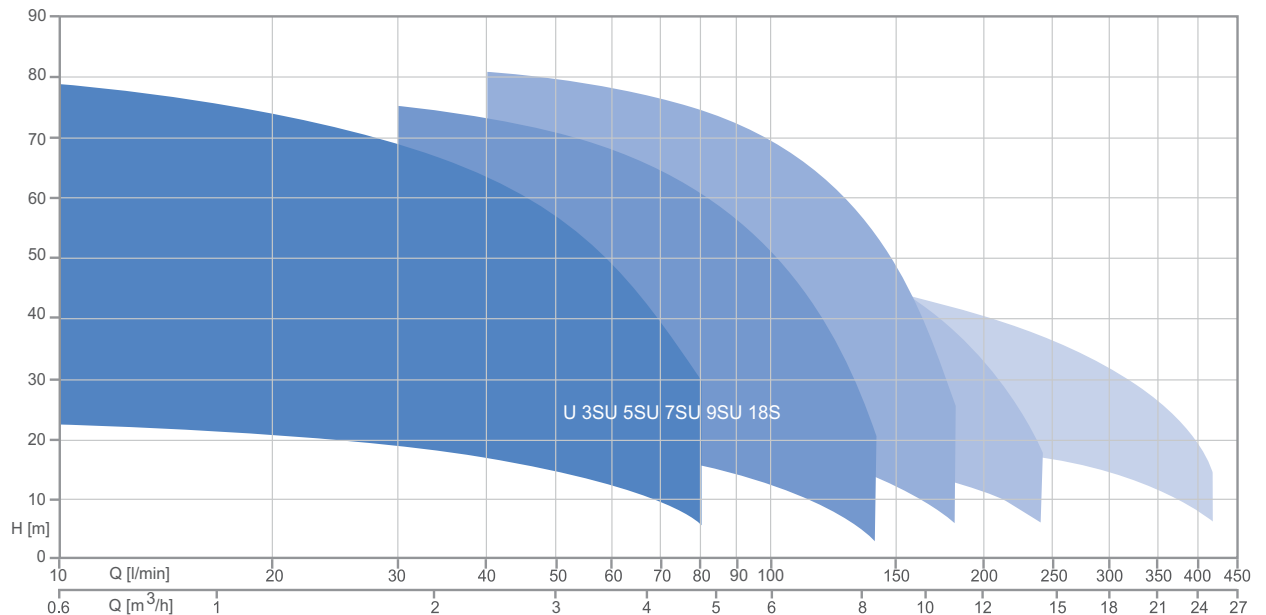
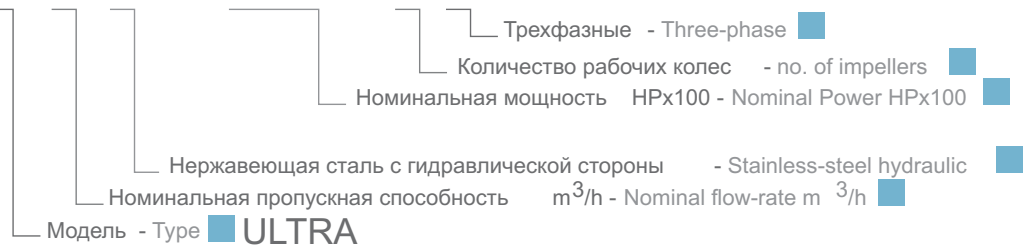


ULTRA 7S

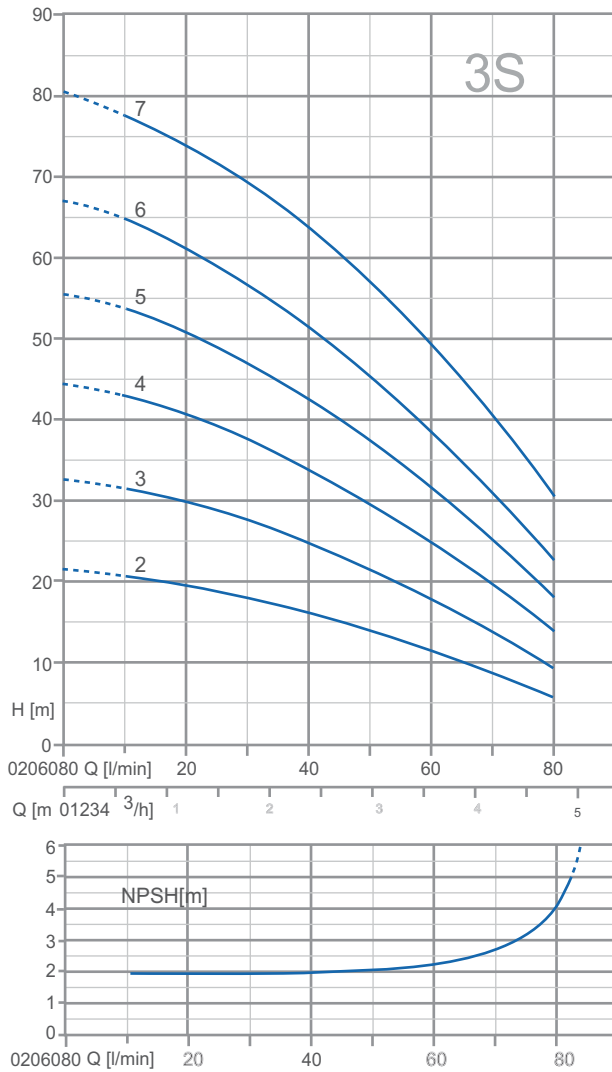


ULTRA 3S

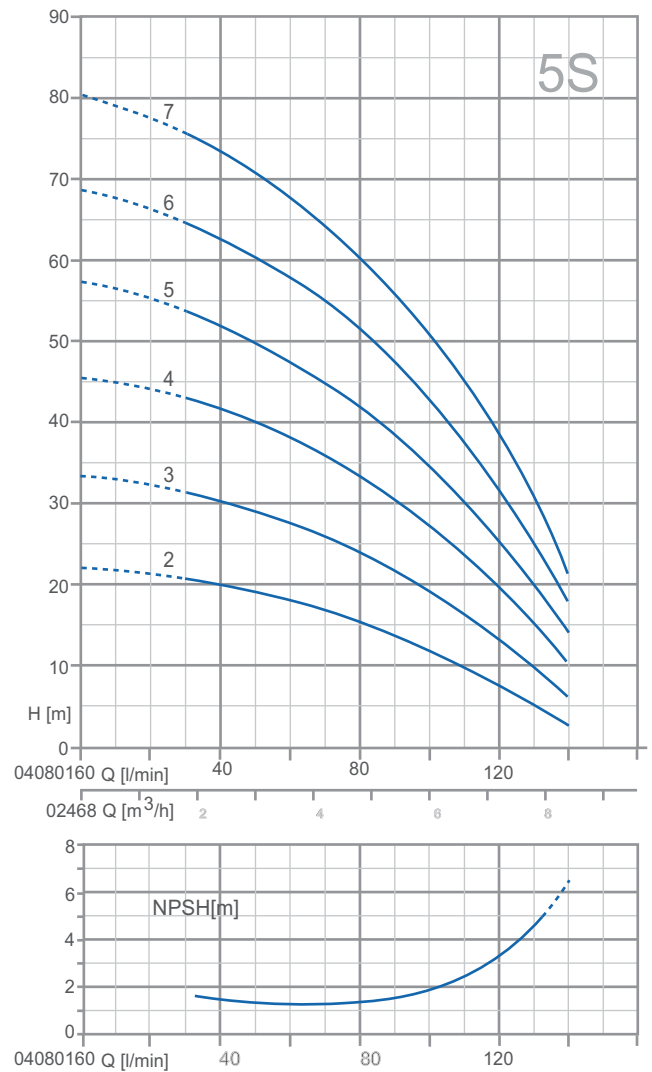
U 5 S - 120 / 4 T



ULTRA 3S



ULTRA 5S



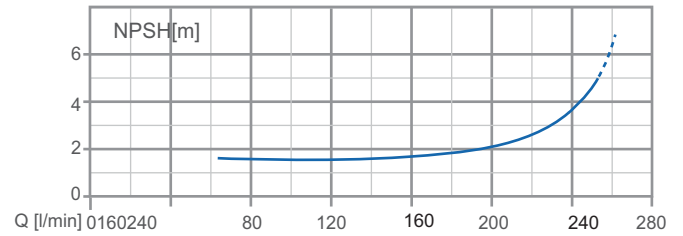
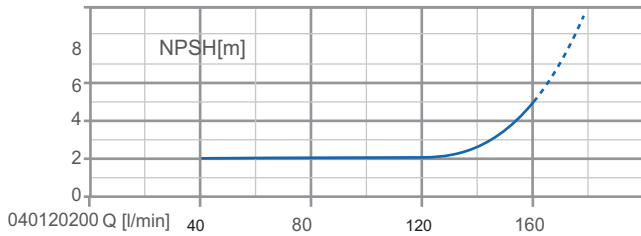
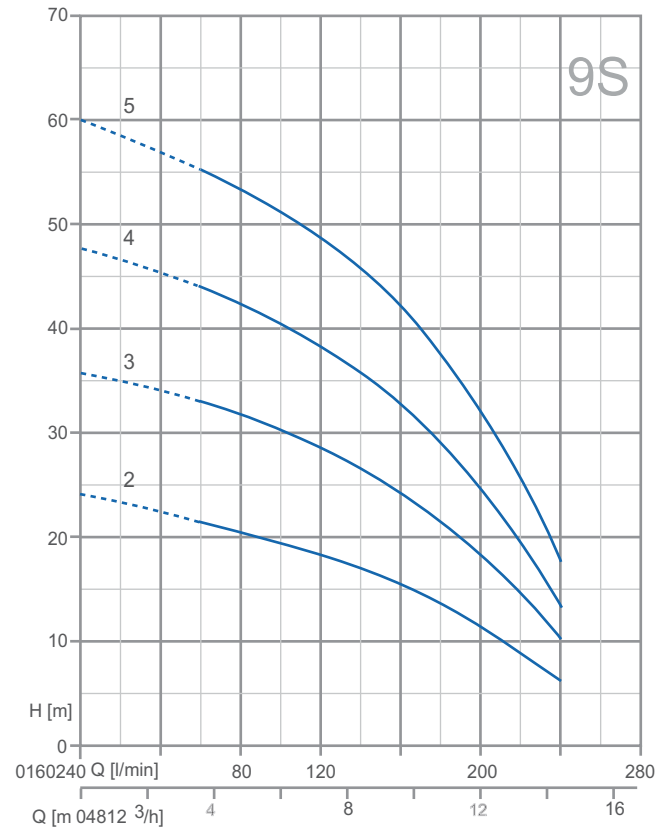
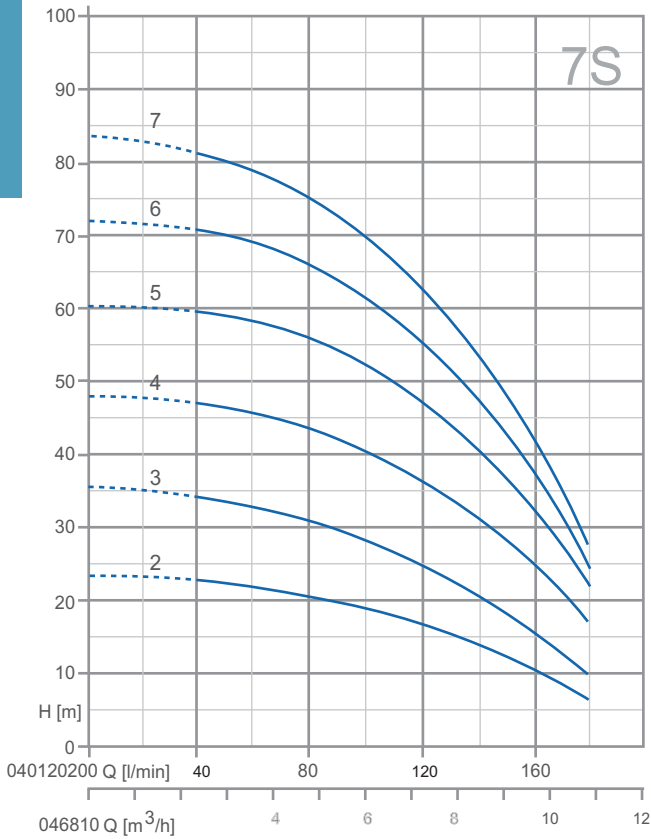
Technical data

TYPE		P2P1		(kW)		AMPERE		Q (m³/h - l/min)						
1~	3~	(HP)	(kW)	1~3~		1x230V 50Hz	3x400V 50Hz	0	0.6	1.2	1.8	2.4	3.6	4.8
				1	2			3	4	6	8	10	20	30
230 V - 50 Hz	230 / 400 V - 50 Hz							H (m)						
U 3S-50/2	U 3S-50/2 T	0.5	0.37	0.42	0.41	1.8	0.9	21.7	20.9	19.3	17.8	15.9	11.4	5.8
U 3S-70/3	U 3S-70/3 T	0.7	0.51	0.61	0.58	2.7	1.1	32.7	31.3	29.2	26.7	23.9	17.2	9
U 3S-90/4	U 3S-90/4 T	0.9	0.66	0.82	0.8	3.6	1.7	44.3	42.8	40	36.4	33.2	24.5	13.9
U 3S-100/5	U 3S-100/5 T	1	0.75	0.99	0.92	4.4	1.7	55.3	53.5	50.3	46.5	42.1	31.6	17.7
U 3S-120/6	U 3S-120/6 T	1.2	0.9	1.11	1.11	5.1	2.5	66.6	64.4	60.8	56	50.7	38.1	22.4
U 3S-150/7	U 3S-150/7 T	1.5	1.1	1.38	1.31	6.4	2.7	80.1	77.7	74.2	69.1	63.3	48.8	30

TYPE		P2P1		(kW)		AMPERE		Q (m³/h - l/min)							
1~	3~	(HP)	(kW)	1~3~		1x230V 50Hz	3x400V 50Hz	0	1.8	2.4	3.6	4.8	6	7.2	8.4
				1	2			3	4	6	8	100	120	140	
230 V - 50 Hz	230 / 400 V - 50 Hz							H (m)							
U 5S-70/2	U 5S-70/2 T	0.7	0.51	0.6	0.58	2.6	1.1	22.3	20.4	19.5	17.5	14.8	11.7	7.8	2.8
U 5S-80/3	U 5S-80/3 T	0.8	0.6	0.8	0.75	3.8	1.4	34	31.1	29.9	27	23.6	19.1	13.1	6
U 5S-120/4	U 5S-120/4 T	1.2	0.9	1.09	1.08	4.9	2.4	45.5	42.2	40.7	37.2	32.9	27.4	19.8	10.4
U 5S-150/5	U 5S-150/5 T	1.5	1.1	1.39	1.31	6.5	2.7	57.2	53.4	51.7	47.6	42.3	35.2	25.7	14
U 5S-180/6	U 5S-180/6 T	1.8	1.3	1.63	1.55	7.3	3	68.9	64.4	62.3	57.5	51.5	43.5	32.6	18.1
U 5S-200/7	U 5S-200/7 T	2	1.5	1.94	1.67	8.7	3.3	81	75.5	73	67.4	60.3	51	38.6	21

ULTRA 7S

ULTRA 9S

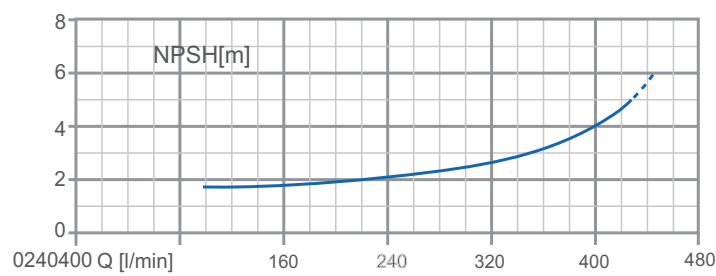
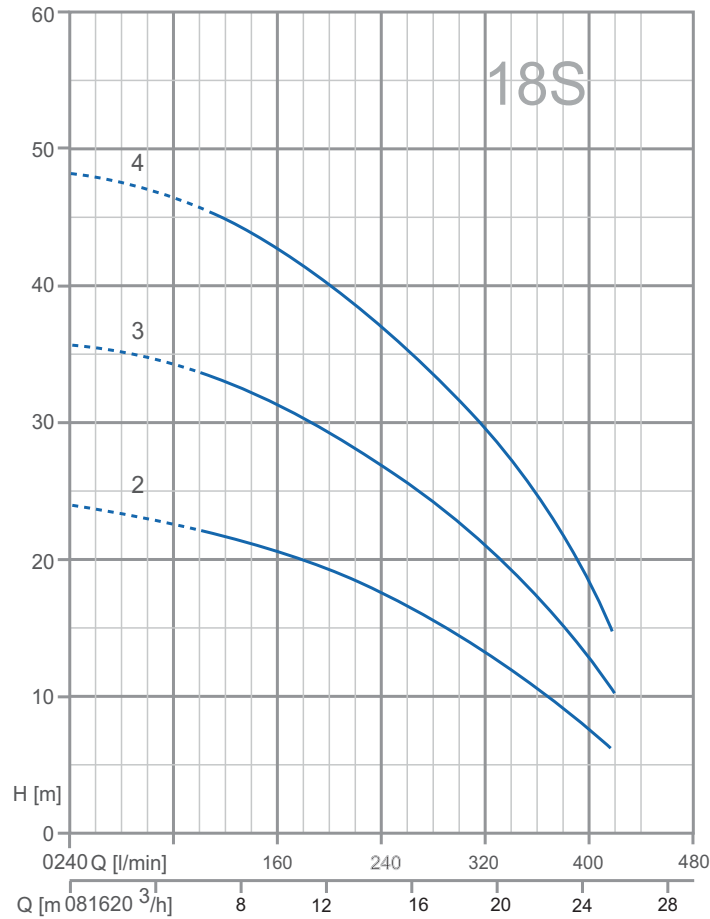


Technical data

TYPE		P2P1		(kW)		AMPERE		Q (m³/h - l/min)									
1~	3~					1~3~		0	2.4	3.6	4.8	6	7.2	8.4	9.6	10.8	
								0	40	60	80	100	120	140	160	180	
								H (m)									
230 V - 50 Hz	230 / 400 V - 50 Hz	(HP)	(kW)	1~3~		1x230V 50Hz	3x400V 50Hz										
U 7S-100/2	U 7S-100/2 T	1	0.75	0.91	0.84	4.1	1.6	23.6	22.6	21.8	20.5	18.8	16.7	13.9	10.6	6.7	
U 7S-120/3	U 7S-120/3 T	1.2	0.9	1.23	1.22	5.6	2.5	35.6	33.9	32.8	31.2	28.1	24.7	20.8	15.7	10.0	
U 7S-180/4	U 7S-180/4 T	1.8	1.3	1.69	1.62	7.7	3.1	48.0	46.3	45.7	43.6	40.4	36.4	31.4	25.0	17.2	
U 7S-250/5	U 7S-250/5 T	2.5	1.85	2.19	2.05	10.2	4.1	60.3	59.0	58.2	55.7	52.2	47.4	41.3	33.5	22	
U 7S-300/6	U 7S-300/6 T	3	2.2	2.53	2.44	11.4	4.8	72.5	70.5	69.2	66	61.5	55.7	47.8	37.8	24.7	
-	U 7S-350/7 T	3.5	2.57	-	2.84	-	5.1	83.5	80.7	78.8	74.7	69.4	62.6	53.9	42.7	27.5	

TYPE		P2P1		(kW)		AMPERE		Q (m³/h - l/min)										
1~	3~					1~3~		0	3.6	4.8	6	7.2	8.4	9.6	10.8	12	13.2	14.4
								0	60	80	100	120	140	160	180	200	220	240
								H (m)										
230 V - 50 Hz	230 / 400 V - 50 Hz	(HP)	(kW)	1~3~		1x230V 50Hz	3x400V 50Hz											
U 9S-100/2	U 9S-100/2 T	1	0.75	0.99	0.95	4.5	1.8	23.9	20.9	20	18.8	17.7	16.5	15	13.0	11	8.7	6
U 9S-150/3	U 9S-150/3 T	1.5	1.1	1.47	1.4	6.8	2.8	35.6	32.5	31.5	30	28.7	26.9	24.6	22	18.7	15	10.7
U 9S-200/4	U 9S-200/4 T	2	1.5	1.88	1.77	8.4	3.3	47.6	43.5	42.1	40.1	38.1	35.7	32.7	28.9	24.2	19	13.1
U 9S-250/5	U 9S-250/5 T	2.5	1.85	2.36	2.23	10.8	4.3	60	54.8	53	51	48.2	45.4	42	37.3	31.6	25	18

ULTRA 18S

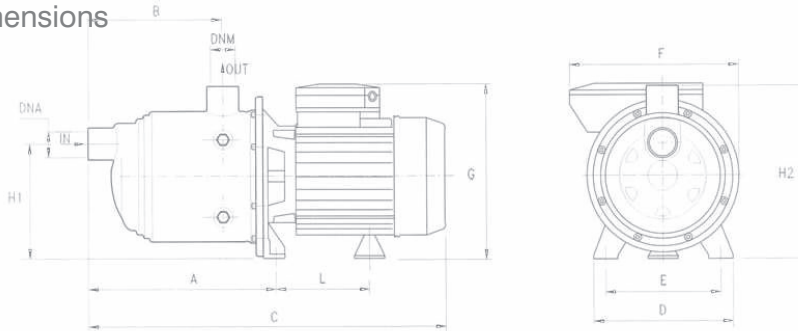


Technical data

TYPE	P2P1		(kW)	AMPERE	Q (m ³ /h - l/min)																		
					3~	0	6	7.2	8.4	9.6	10.8	12	13.2	14.4	15.6	16.8	18	19.2	20.4	21.6	22.8	24	25.2
230 / 400 V - 50 Hz	(HP)	(kW)	3~	3x400V 50Hz	H (m)																		
U 18S-180/2 T	1.8	1.3	1.59	3	23.7	21.7	21.1	20.4	20	19.3	18.5	17.7	16.9	16	15.2	14.3	13.1	11.8	10.3	9.1	7.6	6.4	
U 18S-250/3 T	2.5	1.85	2.29	4.4	35.7	33.1	32.3	31.3	30.4	29.4	28.4	27.4	26.3	25.1	24	22.8	21.4	19.6	17.8	15.4	12.9	10.2	
U 18S-400/4 T	4	3	3.11	5.7	47.9	45	44	42.8	41.7	40.5	39.1	37.8	36.6	35.2	33.9	32.2	30.2	28	25.1	22.1	18.1	14.9	

ULTRA 3S - ULTRA 5S

Dimensions

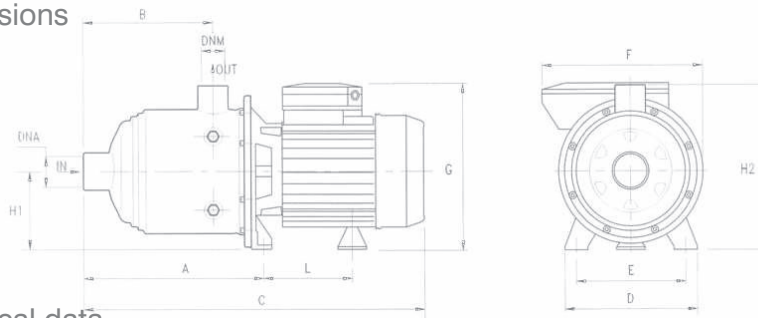


Technical data

TYPE	DIMENSIONS (mm)										Kg	DNA	DNM
	A	B	C	D	E	F	G	L	H1	H2			
U 3S-50/2	166.8	103	333	164	140	178	190	93.7	128	192	6.9	1" G	1" G
U 3S-70/3	166.8	103	333	164	140	178	190	93.7	128	192	8.0		
U 3S-90/4	190.8	127	357	164	140	178	190	93.7	128	192	9.4		
U 3S-100/5	214.8	151	404	164	140	178	203	104.7	128	192	12.0		
U 3S-120/6	238.8	175	428	164	140	178	203	104.7	128	192	12.7		
U 3S-150/7	262.8	199	483	164	140	201	211	128.2	134	198	16.1		
U 5S-70/2	166.8	103	333	164	140	178	195	93.7	128	192	7.7		
U 5S-80/3	166.8	103	357	164	140	178	203	93.7	128	192	10.3		
U 5S-120/4	190.8	127	380	164	140	178	203	104.7	128	192	12.1		
U 5S-150/5	214.8	151	436	164	140	201	211	128.2	134	198	14.9		
U 5S-180/6	238.8	175	459	164	140	201	211	128.2	134	198	16		
U 5S-200/7	262.8	199	483	164	140	201	211	128.2	134	198	18.1		

ULTRA 7S - ULTRA 9S - ULTRA 18S

Dimensions



Technical data

TYPE	DIMENSIONS (mm)										Kg	DNA	DNM
	A	B	C	D	E	F	G	L	H1	H2			
U 7S-100/2	166.8	103	356	164	140	178	203	104.7	92	192	10.6	1" 1/4 G	1" G
U 7S-120/3	166.8	103	356	164	140	178	203	104.7	92	192	11.6		
U 7S-180/4	190.8	127	411	164	140	201	211	128.2	98	198	15.0		
U 7S-250/5	214.8	151	436	164	140	201	211	128.2	98	198	17.3		
U 7S-300/6	238.8	175	M 503 T 459	164	140	201	M 229 T 211	M 148.2 T 128.2	M 103 T 98	M 203 T 198	20.0		
U 7S-350/7	262.8	199	527	164	140	201	229	148.2	103	203	20.7	1" 1/2 G	1" 1/4 G
U 9S-100/2	185.8	118	375	164	140	178	203	104.7	92	192	10.8		
U 9S-150/3	185.8	118	375	164	140	201	211	128.2	98	198	14.2		
U 9S-200/4	215.8	148	436	164	140	201	211	128.2	98	198	16.8		
U 9S-250/5	245.8	178	464	164	140	201	211	128.2	98	198	17.7		
U 18S-180/2 T	201	141	432	164	140	201	211	128.2	98	198	14.0	2" G	1" 1/2 G
U 18S-250/3 T	238.5	141	432	164	140	201	211	128.2	98	198	15.8		
U 18S-400/4 T	276	178.5	514	164	140	201	229	148.2	103	203	22.6		