



# ZIL 1304

## Applications

- For water supply from wells or reservoirs
- For domestic use, for civil and industrial applications
- For garden use and irrigation

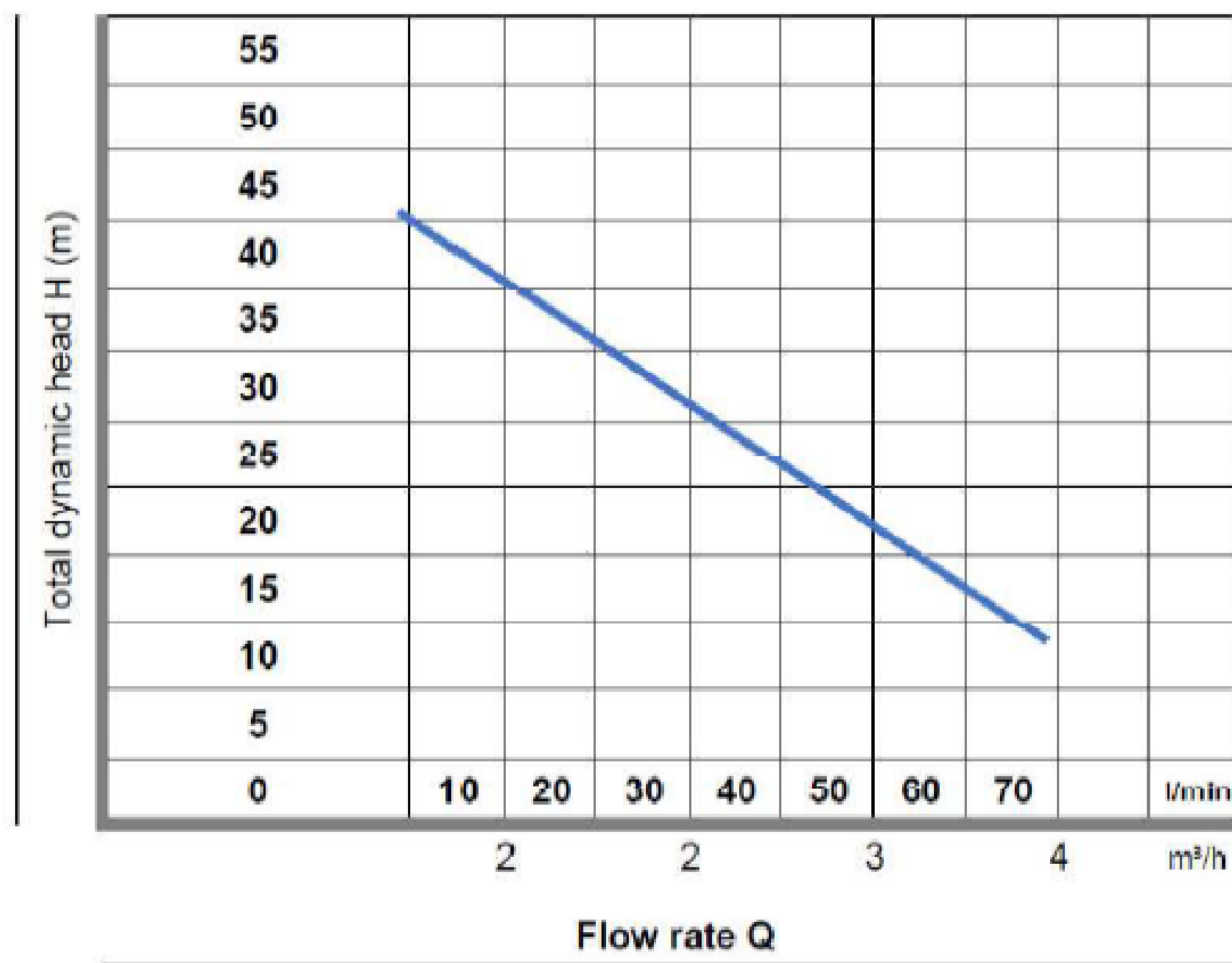
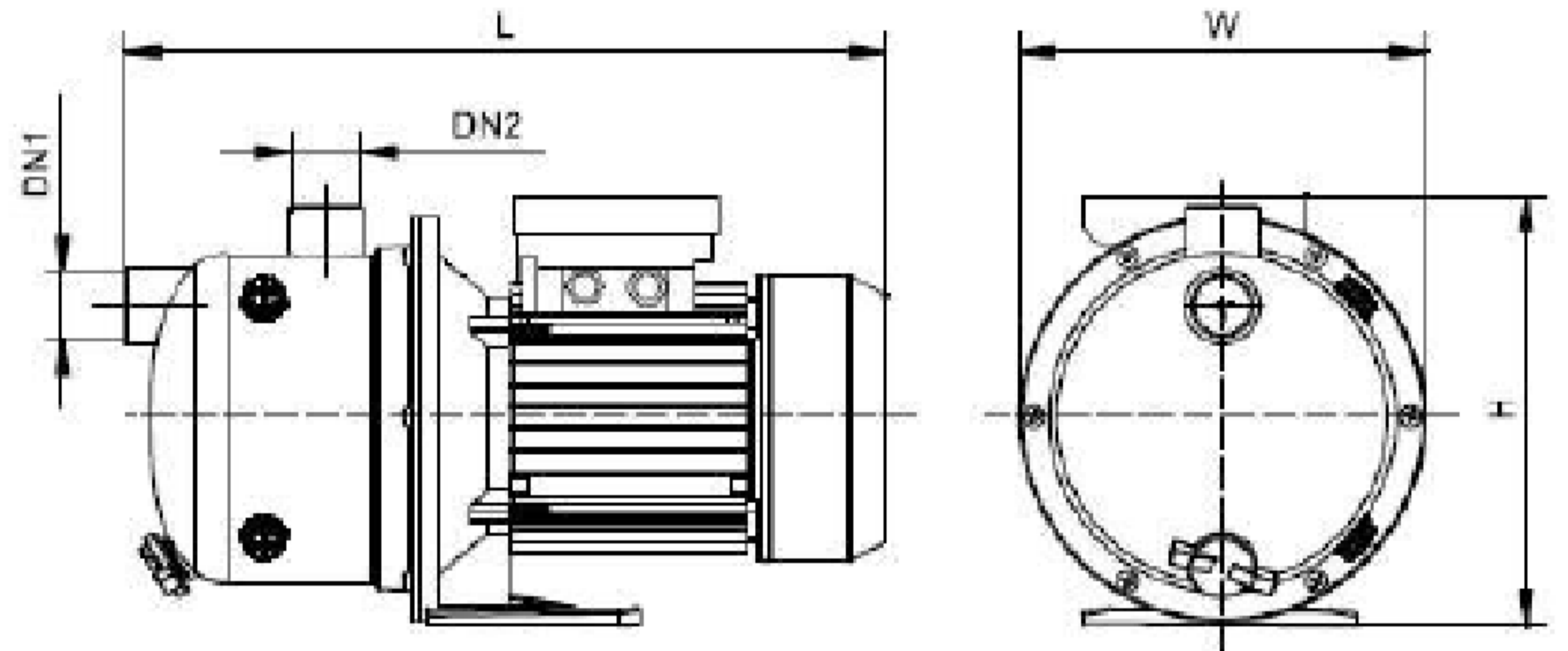
## Operating conditions

- Maximum fluid temperature up to +40°C
- Maximum sand content: 0.25%
- Maximum suction lift: 9m



## Motor and Pump

- Rewindable motor
- Single-phase: 220 - 240V/50Hz
- Curve tolerance according to ISO 9906
- Impeller material: plastic or stainless steel



MODEL rpm 2850 1 - 220V	KW	HP	Q	n~ 2850 1/min									DN1	DN2	DIMENSIONS (mm)			WEIGHTS (kg)
				m³/h	0	0,6	1,2	1,8	2,4	3,0	3,6	4,2			W	H	L	
				l/m	0	10	20	30	40	50	60	70						
ZIL1304SA	0,75	1,00	H(m)	45	40	34	29	25	21	17	14	1"	1"	196	210	365	10	