

Applications

For water supply from wells or reservoirs
 For domestic use, for civil and industrial applications
 For garden use and irrigation

Operating conditions

Maximum fluid temperature up to +40°C
 Maximum sand content: 0.25%
 Maximum suction lift: 8m

Motor and Pump

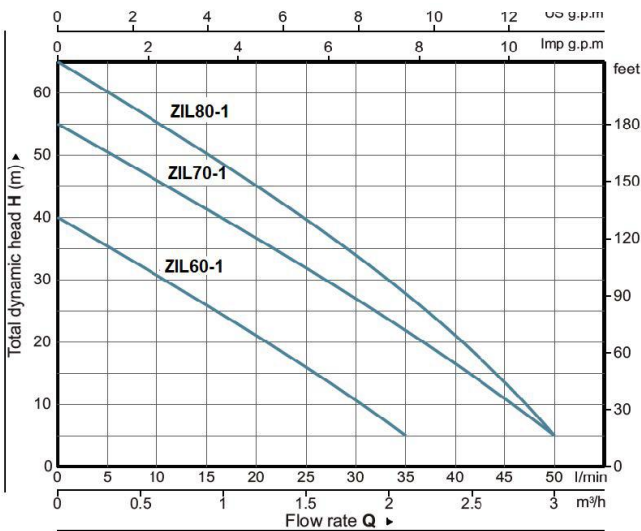
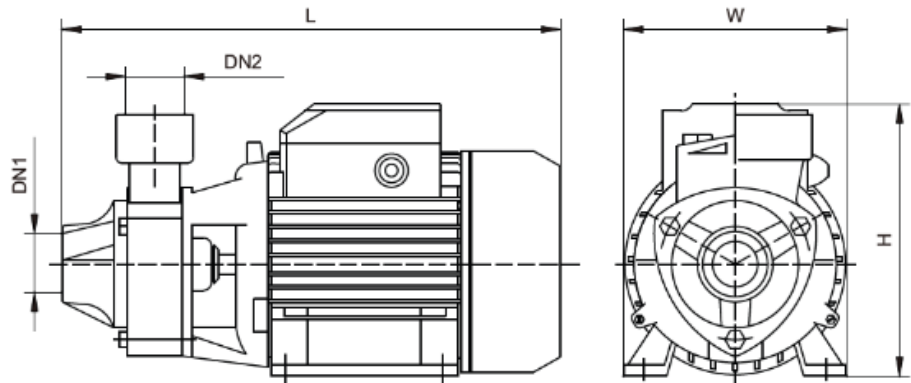
Rewindable motor
Single-phase: 220 - 240V/50Hz
Three-phase: 380 - 415V/50Hz
 Curve tolerance according to ISO 9906
 Impeller material: brass

Options on request

Special mechanical seal
 Other voltages or frequency 60 Hz

Warranty: 1 year

(according to our general sales conditions)



ZIL 60 S
 — performance code
 — code (three phase with T marked)
 — model

MODEL	DN1	DN2	DIMENSIONS(mm)			WEIGHTS(kg)	
			W	H	L	1~	3~
ZIL60-1	1"	1"	117	150	264	6.3	5.8
ZIL70-1	1"	1"	135	180	302	8	7.5
ZIL80-1	1"	1"	135	180	302	8	7.5

PERFORMANCE DATA 50Hz

MODEL		P ₂		DELIVERY n≈2850 1/min											
1~ 220 - 240V	3~ 380 - 415V	kW	HP	Q	m³/h										
					0	0.3	0.6	0.9	1.2	1.5	1.8	2.1	2.4	2.7	3.0
				l/min	0	5	10	15	20	25	30	35	40	45	50
ZIL60-1	ZIL60-1T	0.37	0.5	H(m)	40	35	31	26	21	16	11	5	-	-	-
ZIL70-1	ZIL70-1T	0.55	0.75		55	50	46	41	37	32	27	22	17	11	5
ZIL80-1	ZIL80-1T	0.75	1		65	60	55	50	45	40	34	28	21	13	5